

Inhoudsopgave

Achteras & Wielen	30
Drijfwerk & Aandrijving	26
Elektrische Delen	54
Frame Delen	10
Frame op maaier & Wielen	50
Frame op Maaier 112 & Wielen	68
Grasvang Bak	40
Kappen Stuur & Zitting	4
Kiepframe	46
Maaidek & Aandrijving	48
Maaier 112 & Aandrijving	66
Messen & Aandrijving op Maaier	52
Messen & Aandrijving op Maaier 112	70
Motor & Filters	36
Motor & Uitlaat Systeem	62
Mulch Messen	60
Mulch Messen 112	72
PTO	16
Spanrollen	24
Stuur Mechaniek & Maaier lift	34
Voor Frame & Div. Delen	14
Wielassen Wielen & Lagers	18



Gianni Ferrari

TG TECH



CATALOGO PARTI DI RICAMBIO

CATALOGUE PIECES DETACHEES

SPARE PARTS CATALOGUE

TERSATZTEILKATALOG



COMPOSIZIONE CODICE D'ORDINE

NUMERO DI MATRICOLA ALFANUMERICO DEL TELAIO + CODICE PARTICOLARE DI RICAMBIO

COMPOSITION OF THE ORDER CODE

ALPHANUMERICAL SERIAL NUMBER OF THE FRAME CODE NUMBER OF THE SPARE PART

COMPOSITION DU CODE DE L'ORDRE

NUMÉRO DE SÉRIE ALPHANUMÉRIQUE DU CHÂSSIS + CODE AU PIECE DE RECHANGE

AUFBAU DES BESTELLKODE

ALPHANUMERISCHE SERIENNUMMER DES GERÜSTES HINWEIS AUF DAS CODE

MATRICOLA CATALOGO

NUMERO DI MATRICOLA ALFANUMERICO DEL TELAIO

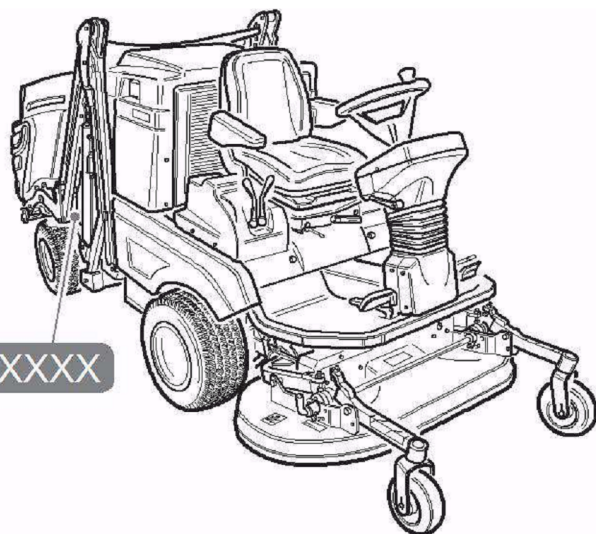
ALPHANUMERICAL SERIAL NUMBER OF THE FRAME

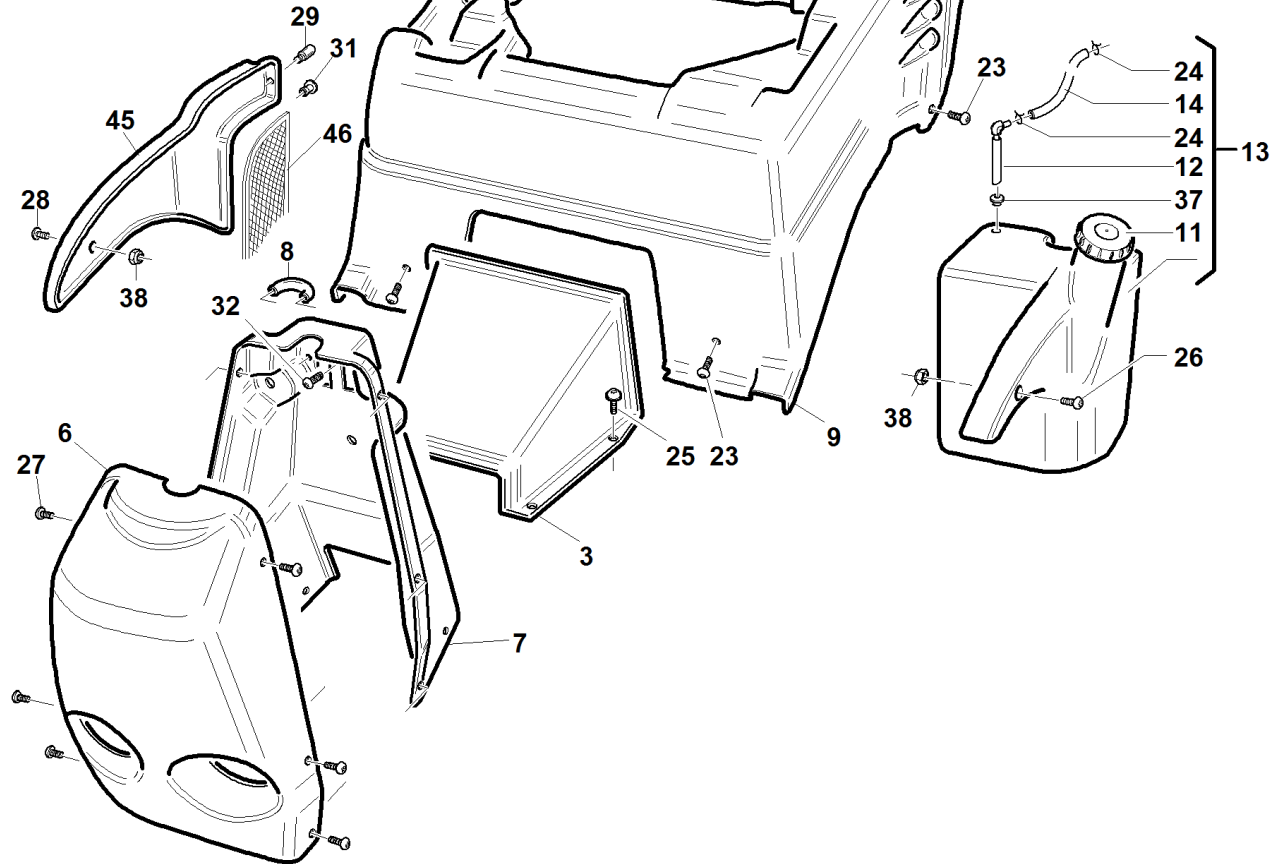
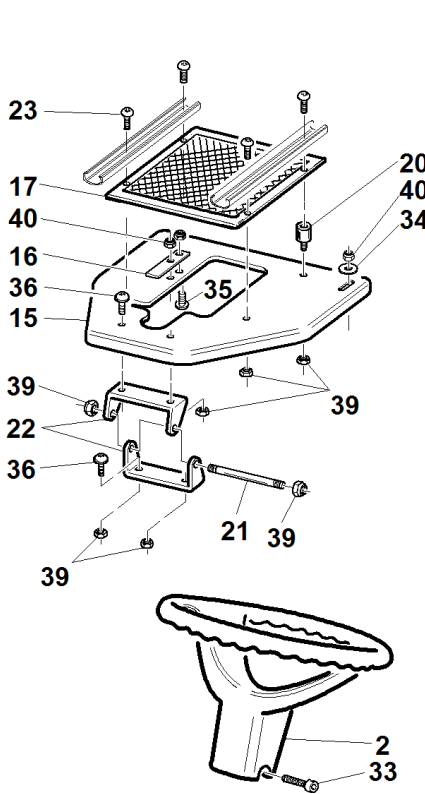
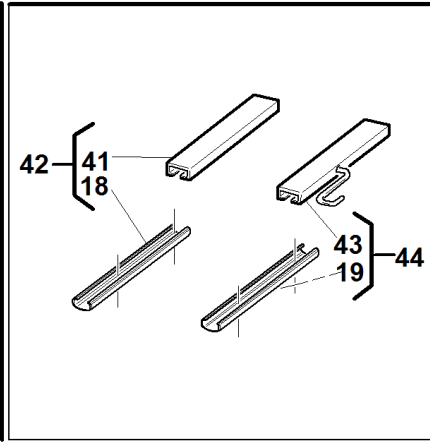
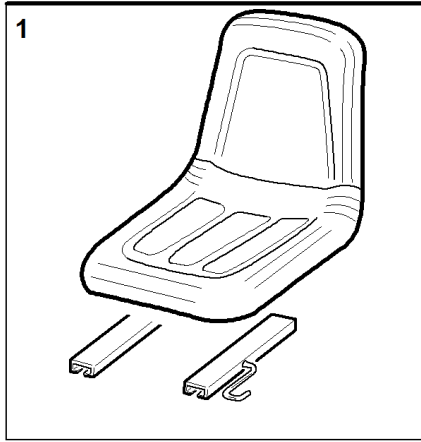
NUMÉRO DE SÉRIE ALPHANUMÉRIQUE DU CHÂSSIS

ALPHANUMERISCHE SERIENNUMMER DES GERÜSTES

999999XXXX

999999XXXX





S/N
→0511042

REF.01- 00555991640

#

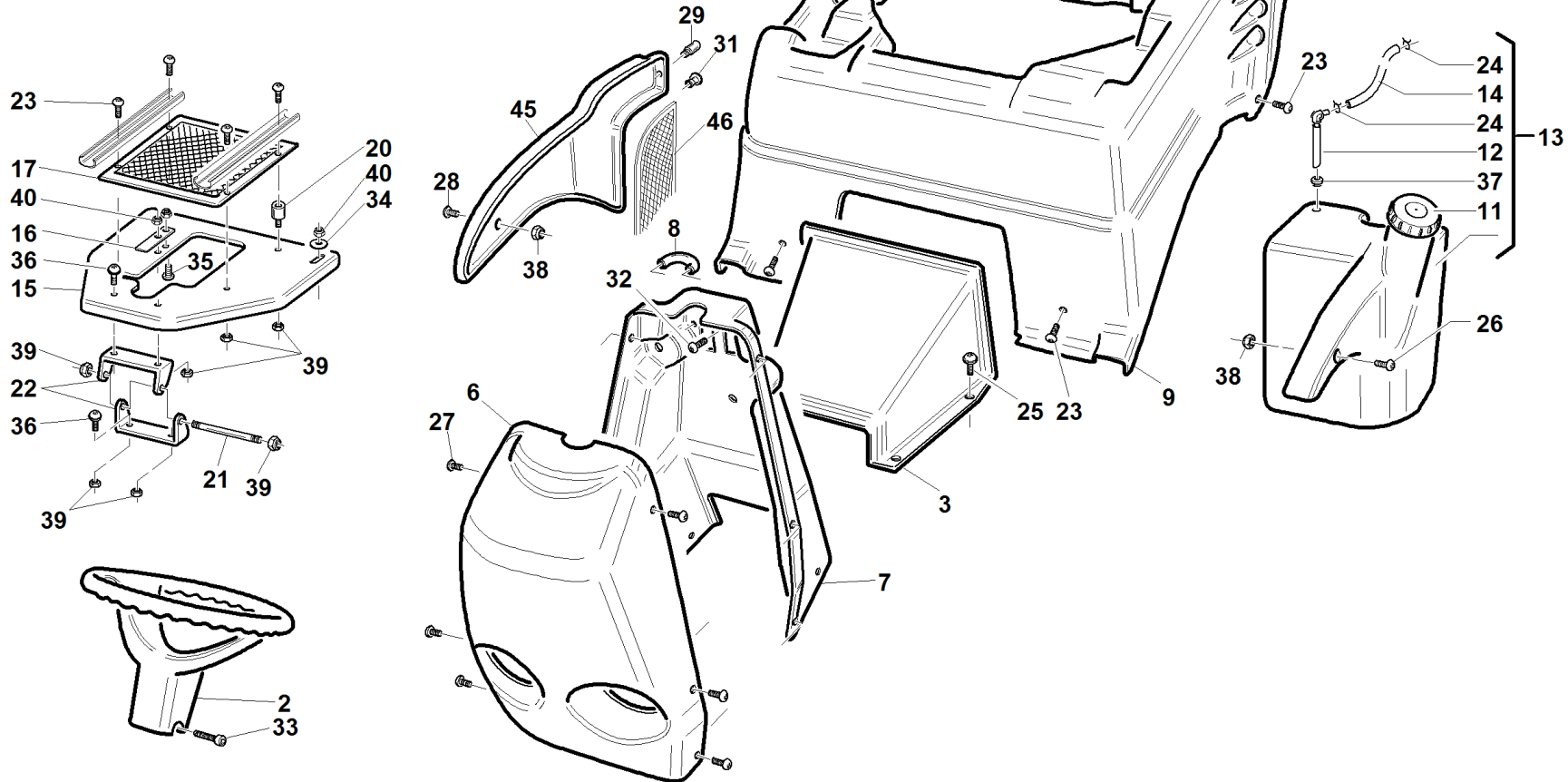
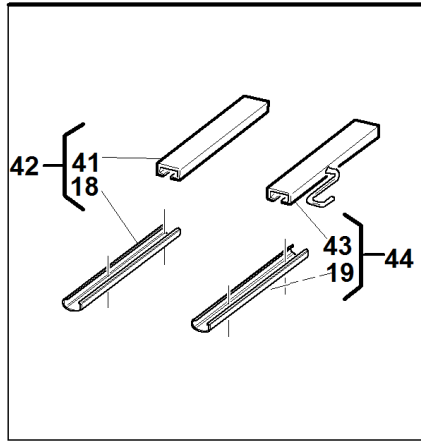
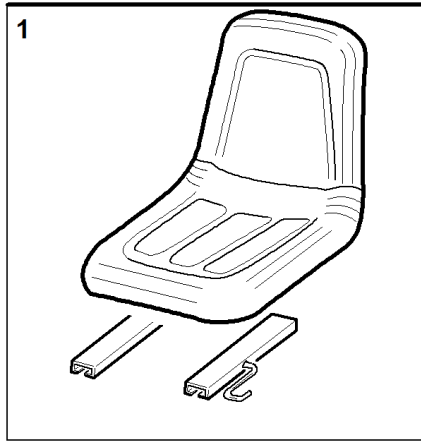
P/N

DESCRIPTION

TG TECH

REF. 01- 0055991640

1	00777850013	SEAT	
2	00111970149	STEERING WHEEL	
3	94500000094	TUNNEL	
5	94500000093	AIRFILTER COVER	
6	94500000084	FRONT DASHBOARD RAL 3002	
7	94500000107	REAR DASHBOARD	
8	00111990088	WHITE HANDLE	
9	94500850000	TG TECH BODY	
10	00111970153	ENGINE-EXHAUST GRID	
11	00111970155	FILLERCAP WITH VALVE	
12	00111971200	FUEL TUBE	
13	94500070000	ASSEMBLED TG TECH FUEL TANK	
14	94500780001	PETROL HOSE L=600	
15	94500000015	SEAT SUPPORT	
16	95541000006	MICRO SEAT SPRING	
17	94500500000	PROTECTION GRID	
18	00777850004	LOWER LEFT GUIDE	
19	00777850003	LOWER RIGHT GUIDE	
20	00111970127	STOPPER M8 D30X20	
21	94500000066	HOOD HINGE PIN	
22	95500000003	SEAT SUPPORT HINGE	
23	00111450004	SCREW WASHER M8X12	
24	00111810015	CLAMP	
25	00111450017	SCREW FR M4X18	
26	00111400038	SCREW TCEI	
27	00111350009	SCREW AUTOFORF.4.2X13	
28	00111400037	SCREW TCEI	
29	94500000085	VALANCE PANEL PIN	
30	00111610002	KNOB M4X20	
31	00111970066	CABLE HOLDER D.I.9	
32	00111360001	SCREW TC M4X8	
33	00111400015	ALLEN SCREW M6X40	
34	00111000132	WASHER P. 8,4X32X2,5 ZNT	
35	00111000059	FAKE SCREW/WASH. M8X14	
36	00111450003	SCREW WASHER M8X20	
37	00111970053	CABLE HOLDER W8 D20 GREEN	
38	00111250004	SELF BL. NUT M10	
39	00111000071	SELF BLO. NUT M8	
40	00111000095	SELF BLO. NUT M8	
41	00777850010	UPPER RIGHT GUIDE	
42	00777850005	SEAT RIGHT GUIDE PAIR	
43	00777850022	UPPER LEFT GUIDE WITH LEVER	
44	00777850023	SEAT LEFT GUIDE PAIR	
45	94500000136	RIGHT VALANCE PANEL	
46	94500960000	CONVEYOR EXHAUST GRID	



S/N

→ 0504092 ÷ 0511041 ←

REF.01- 00555991634

#

P/N

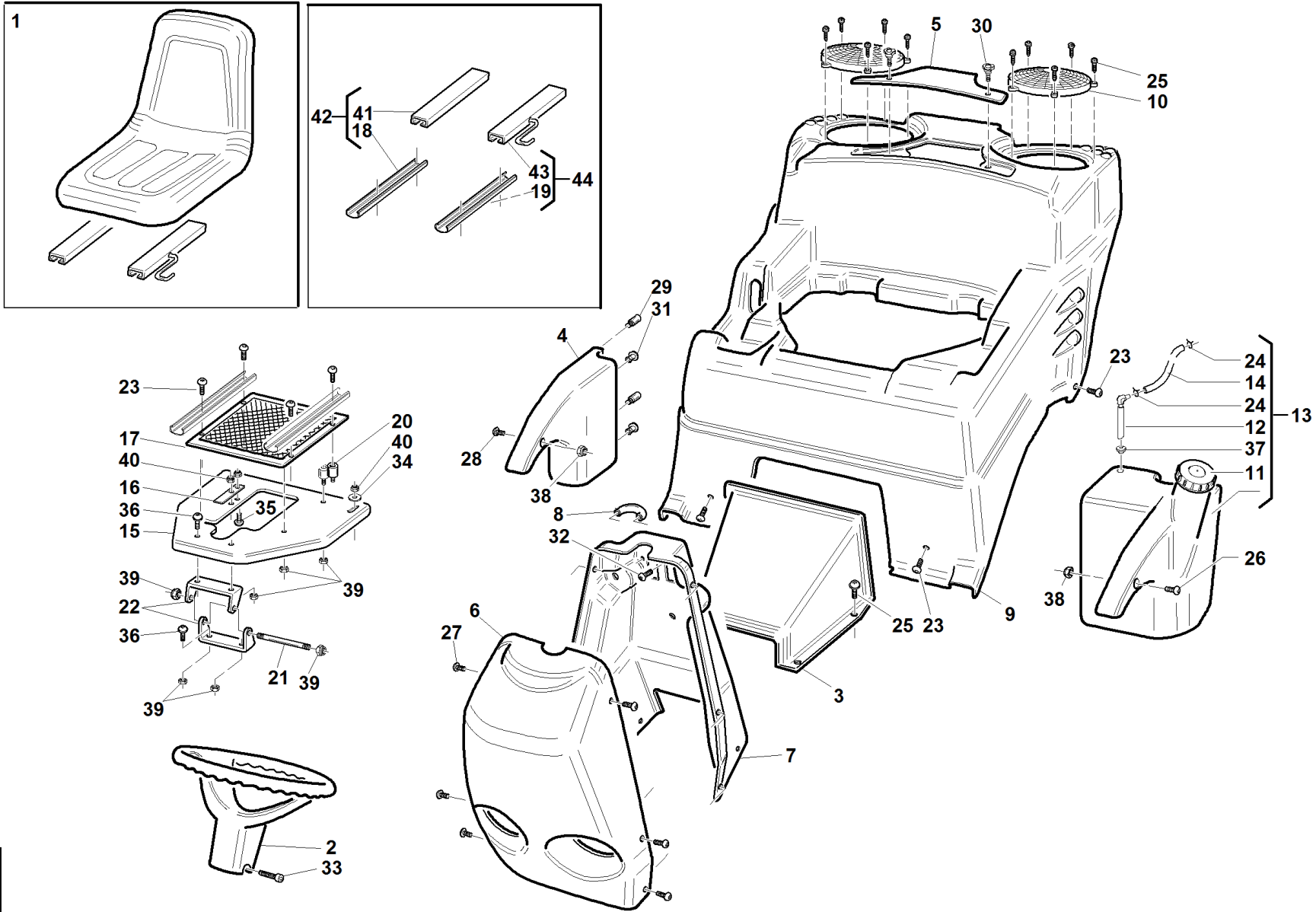
DESCRIPTION

TG TECH

REF. 01- 0055991634

1	00777850013	SEAT	
2	00111970149	STEERING WHEEL	
3	94500000094	TUNNEL	
5	94500000093	AIRFILTER COVER	
6	94500000084	FRONT DASHBOARD RAL 3002	
7	94500000107	REAR DASHBOARD	
8	00111990088	WHITE HANDLE	
9	94500850000	TG TECH BODY	
10	00111970153	ENGINE-EXHAUST GRID	
11	00111970155	FILLERCAP WITH VALVE	
12	00111971200	FUEL TUBE	
13	94500070000	ASSEMBLED TG TECH FUEL TANK	
14	94500780001	PETROL HOSE L=600	
15	94500000015	SEAT SUPPORT	
16	95541000006	MICRO SEAT SPRING	
17	94500500000	PROTECTION GRID	
18	00777850004	LOWER LEFT GUIDE	
19	00777850003	LOWER RIGHT GUIDE	
20	00111970127	STOPPER M8 D30X20	
21	94500000066	HOOD HINGE PIN	
22	95500000003	SEAT SUPPORT HINGE	
23	00111450004	SCREW WASHER M8X12	
24	00111810015	CLAMP	
25	00111450017	SCREW FR M4X18	
26	00111400038	SCREW TCEI	
27	00111350009	SCREW AUTOFORF.4.2X13	
28	00111400037	SCREW TCEI	
29	94500000085	VALANCE PANEL PIN	
30	00111610002	KNOB M4X20	
31	00111970066	CABLE HOLDER D.I.9	
32	00111360001	SCREW TC M4X8	
33	00111400015	ALLEN SCREW M6X40	
34	00111000132	WASHER P. 8,4X32X2,5 ZNT	
35	00111000059	FAKE SCREW/WASH. M8X14	
36	00111450003	SCREW WASHER M8X20	
37	00111970053	CABLE HOLDER W8 D20 GREEN	
38	00111250004	SELF BL. NUT M10	
39	00111000071	SELF BLO. NUT M8	
40	00111000095	SELF BLO. NUT M8	
41	00777850010	UPPER RIGHT GUIDE	
42	00777850005	SEAT RIGHT GUIDE PAIR	
43	00777850022	UPPER LEFT GUIDE WITH LEVER	
44	00777850023	SEAT LEFT GUIDE PAIR	
45	94500000136	RIGHT VALANCE PANEL	
46	94500960000	CONVEYOR EXHAUST GRID	

TG TECH



S/N

→ 03000003 ÷ 04159112 ←

→ 0501001 ÷ 0504091 ←

REF.01- 00555991610

#

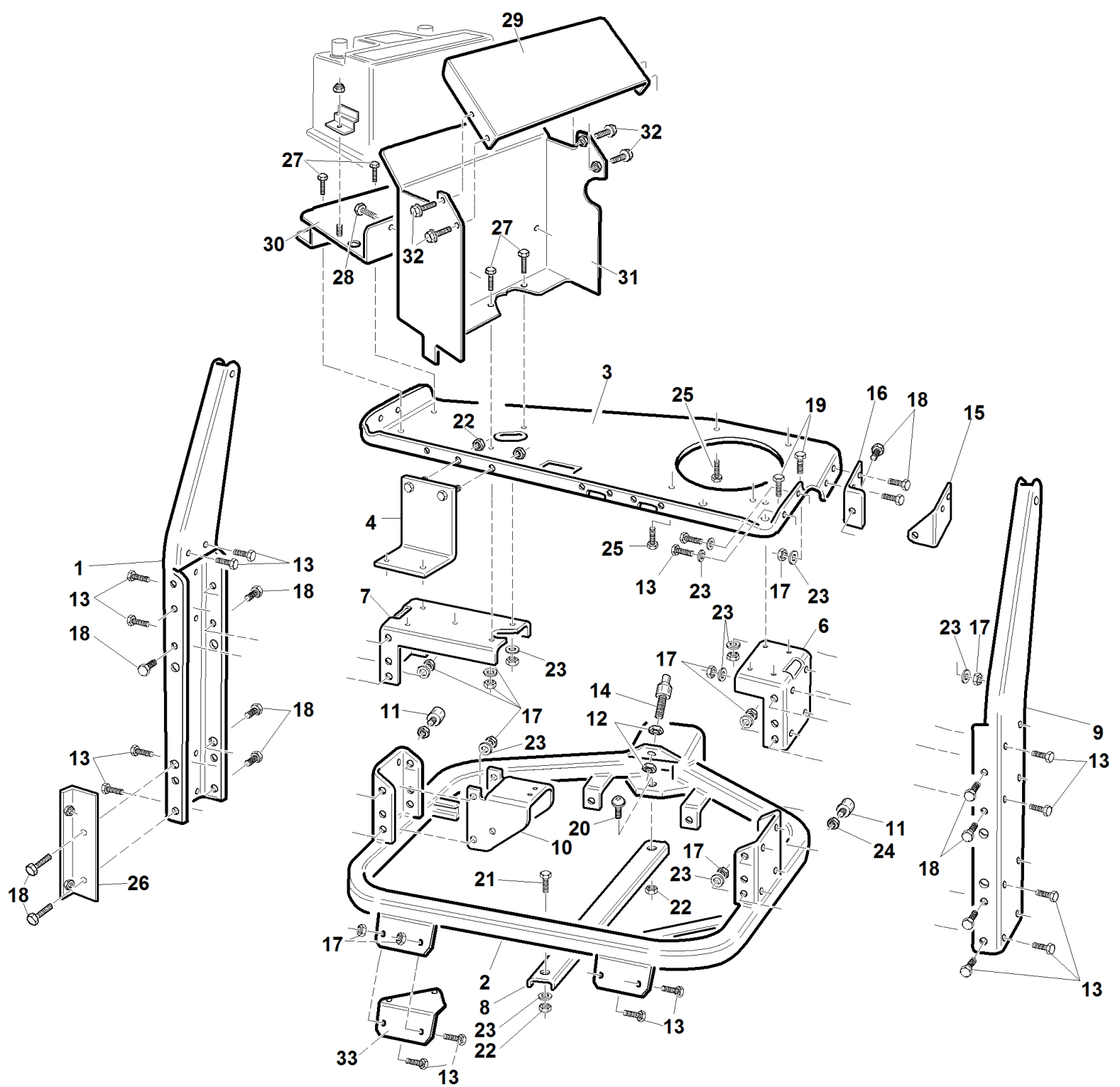
P/N

DESCRIPTION

TG TECH

REF. 01- 0055991610

1	00777850013	SEAT		
2	00111970149	STEERING WHEEL		
3	94500000094	TUNNEL		
4	94500000086	RIGHT VALANCE PANEL		
5	94500000093	AIRFILTER COVER		
6	94500000084	FRONT DASHBOARD RAL 3002		
7	94500000107	REAR DASHBOARD		
8	00111990088	WHITE HANDLE		
9	94500850000	TG TECH BODY		
10	00111970153	ENGINE-EXHAUST GRID		
11	00111970155	FILLERCAP WITH VALVE		
12	00111971200	FUEL TUBE		
13	94500070000	ASSEMBLED TG TECH FUEL TANK		
14	94500780001	PETROL HOSE L=600		
15	94500000015	SEAT SUPPORT		
16	95541000006	MICRO SEAT SPRING		
17	94500500000	PROTECTION GRID		
18	00777850004	LOWER LEFT GUIDE		
19	00777850003	LOWER RIGHT GUIDE		
20	00111970127	STOPPER M8 D30X20		
21	94500000066	HOOD HINGE PIN		
22	95500000003	SEAT SUPPORT HINGE		
23	00111450004	SCREW WASHER M8X12		
24	00111810015	CLAMP		
25	00111450017	SCREW FR M4X18		
26	00111400038	SCREW TCEI		
27	00111350009	SCREW AUTOFORF.4.2X13		
28	00111400037	SCREW TCEI		
29	94500000085	VALANCE PANEL PIN		
30	00111610002	KNOB M4X20		
31	00111970066	CABLE HOLDER D.I.9		
32	00111360001	SCREW TC M4X8		
33	00111400015	ALLEN SCREW M6X40		
34	00111000132	WASHER P. 8,4X32X2,5 ZNT		
35	00111000059	FAKE SCREW/WASH. M8X14		
36	00111450003	SCREW WASHER M8X20		
37	00111970053	CABLE HOLDER W8 D20 GREEN		
38	00111250004	SELF BL. NUT M10		
39	00111000071	SELF BLO. NUT M8		
40	00111000095	SELF BLO. NUT M8		
41	00777850010	UPPER RIGHT GUIDE		
42	00777850005	SEAT RIGHT GUIDE PAIR		
43	00777850022	UPPER LEFT GUIDE WITH LEVER		
44	00777850023	SEAT LEFT GUIDE PAIR		



S/N
→ **0504092**

REF.02- 00555991635

#

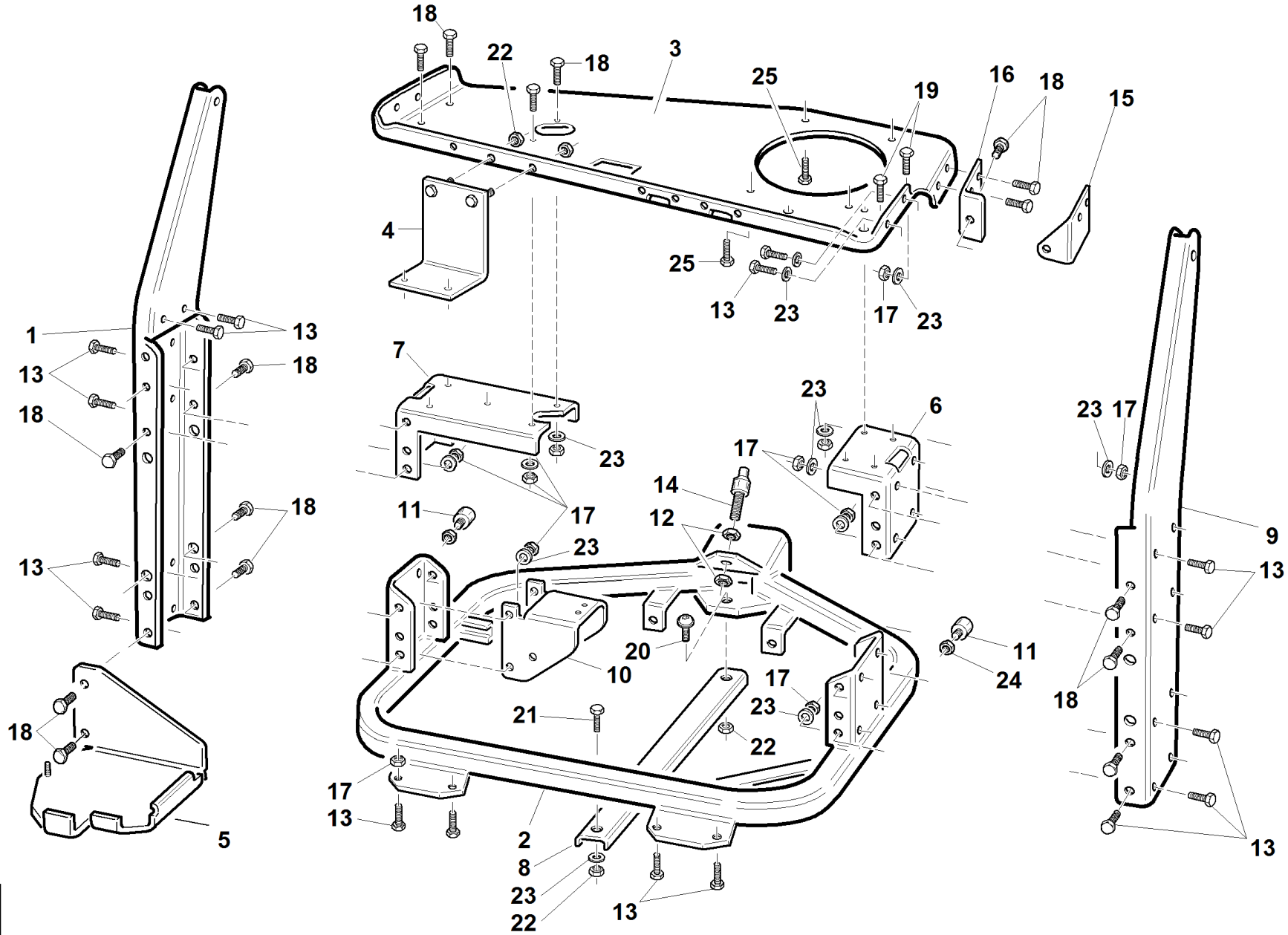
P/N

DESCRIPTION

TG TECH

REF. 02- 0055991635

1	94500330000	RIGHT OVERTURNING HOPPER COLUMN	
2	94500110000	LOWER FRAME	
3	94500100000	FRAME ENGINE SUPPORT	
4	94500150000	ELECTRICAL SYSTEM ANGULAR	
5	94500250000	BATTERY SUPPORT	
6	94500300001	ENGINE LEFT ANGULAR	
7	94500320001	ANGULAR	
8	94500000063	WIRE SUPPORT PLATE	
9	94500340000	LEFT OVERTURNING HOPPER COLUMN	
10	94500510000	ACTUATOR SUPPORT	
11	00111970179	VIBRATION-DAMPING STOPPER	
12	00111150005	NUT M16X1.5	
13	00111300061	SCREW TE M8X20	
14	94500000062	LOCKING HOPPER PIN	
15	94500000045	CLUTCH LOCK	
16	94500000027	ENGINE FIXING PLATE	
17	00111250014	SELF BL. NUT M8	
18	00111300052	SCREW TE UNI 5739	
19	00111350021	SCREW TSPEI M8X25	
20	00111450001	SCREW WASHER M8X25	
21	00111450003	SCREW WASHER M8X20	
22	00111000071	SELF BLO. NUT M8	
23	00111000087	WASHER P.8,4X15.6X1,5	
24	00111000082	NUT M8	
25	00111000033	SCREW TE M8X30	
26	94500920000	COMPLETE GRID HOLDER	
27	00111300064	SCREW M8X25	
28	00111000081	SCREW TE M8X16	
29	94500890000	HEAT PROTECTION BUMPER	
30	94500900000		
31	94500880000	AIR CONVEYOR	
32	00111450010	SCREW/W M6X10	
33	94500940000		



S/N

→03000003÷ 04159112←

REF.02- 00555991611

#

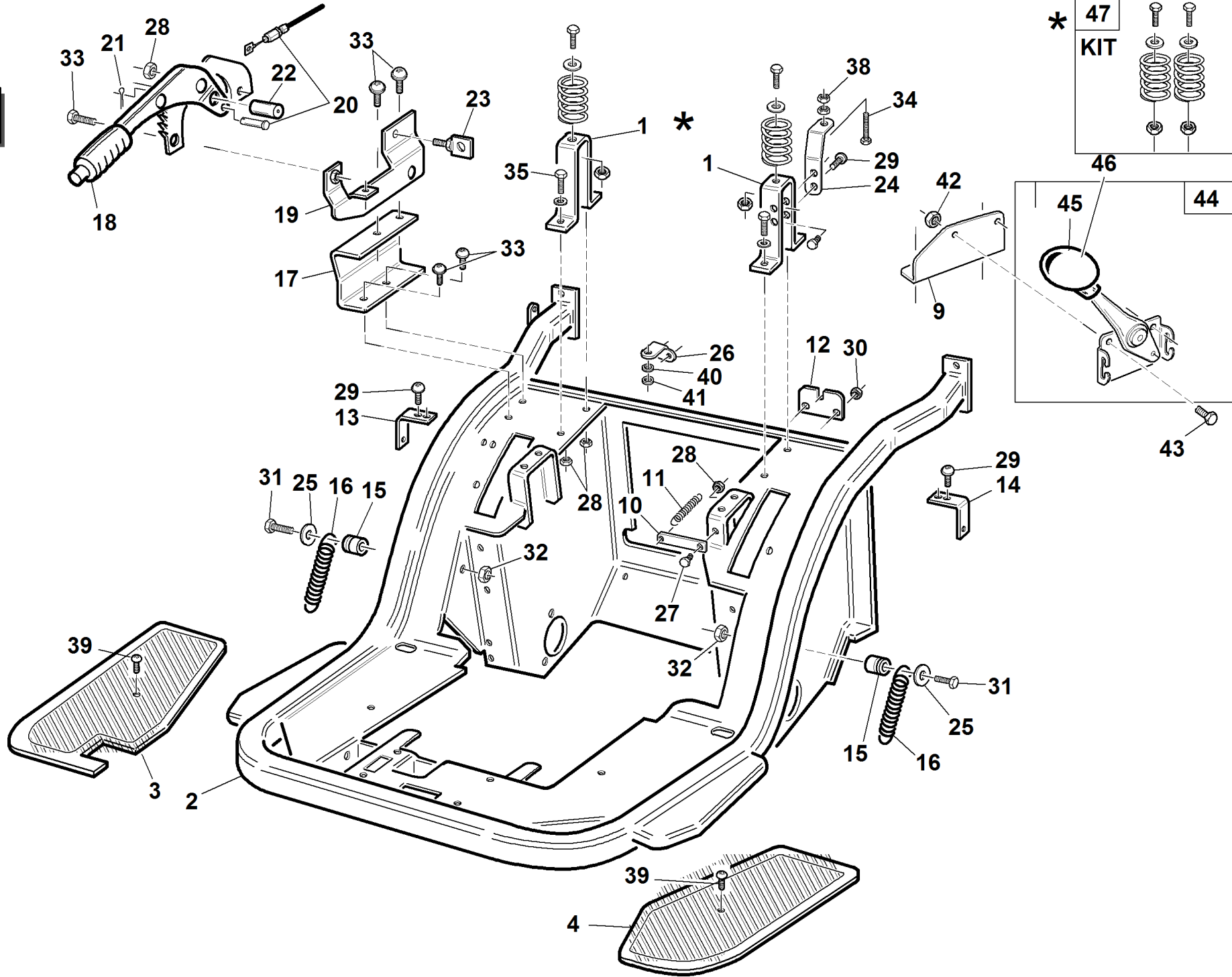
P/N

DESCRIPTION

TG TECH

REF. 02- 0055991611

1	94500330000	RIGHT OVERTURNING HOPPER COLUMN
2	94500110000	LOWER FRAME
3	94500100000	FRAME ENGINE SUPPORT
4	94500150000	ELECTRICAL SYSTEM ANGULAR
5	94500250000	BATTERY SUPPORT
6	94500300001	ENGINE LEFT ANGULAR
7	94500320001	ANGULAR
8	94500000063	WIRE SUPPORT PLATE
9	94500340000	LEFT OVERTURNING HOPPER COLUMN
10	94500510000	ACTUATOR SUPPORT
11	00111970179	VIBRATION-DAMPING STOPPER
12	00111150005	NUT M16X1.5
13	00111300061	SCREW TE M8X20
14	94500000062	LOCKING HOPPER PIN
15	94500000045	CLUTCH LOCK
16	94500000027	ENGINE FIXING PLATE
17	00111250014	SELF BL. NUT M8
18	00111300052	SCREW TE UNI 5739
19	00111350021	SCREW TSPEI M8X25
20	00111450001	SCREW WASHER M8X25
21	00111450003	SCREW WASHER M8X20
22	00111000071	SELF BLO. NUT M8
23	00111000087	WASHER P.8,4X15.6X1,5
24	00111000082	NUT M8
25	00111000033	SCREW TE M8X30



#

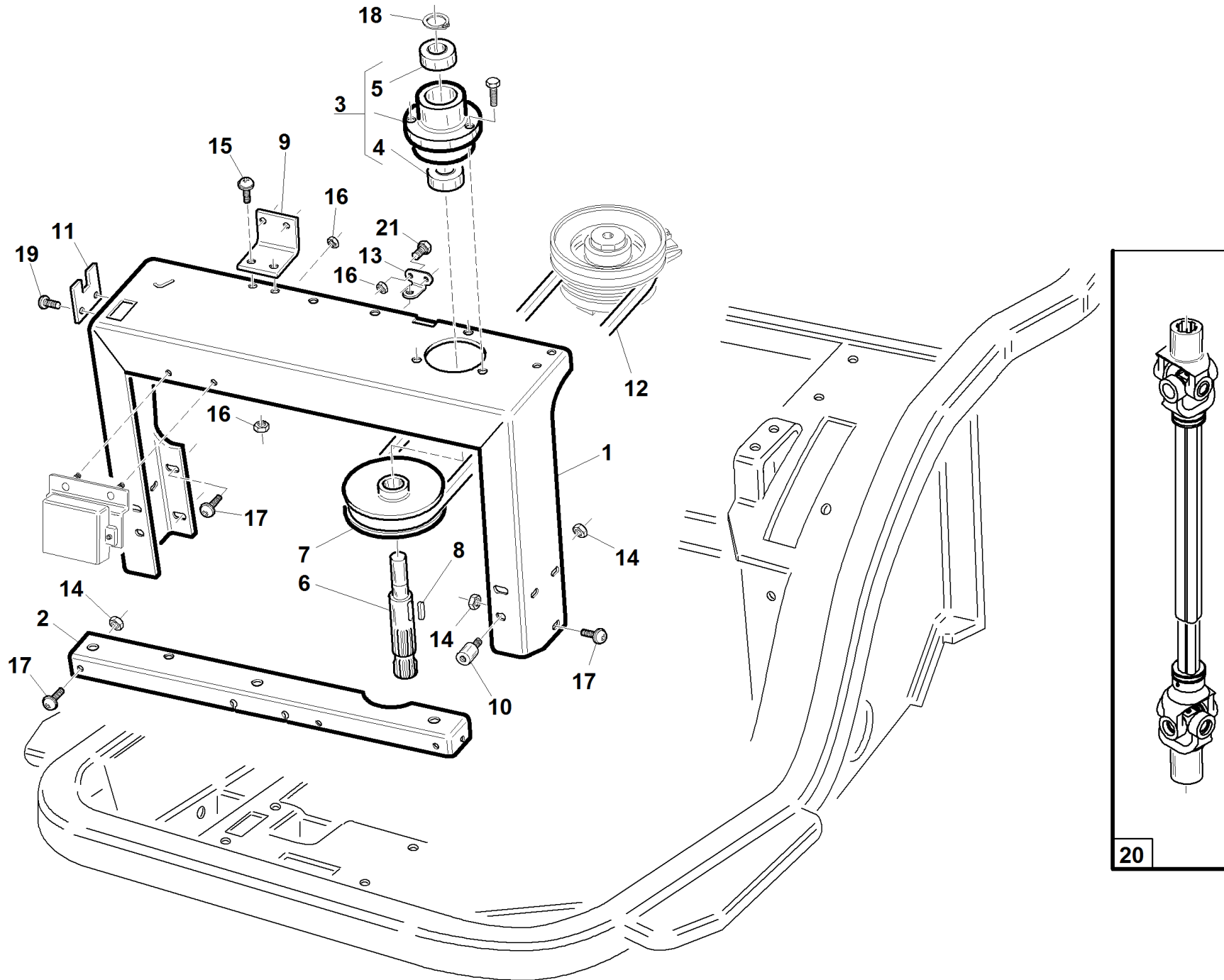
P/N

DESCRIPTION

TG TECH

REF. 03- 0055991619

1	94500000033	SEAT SPRING SUPPORT		
2	94500210000	FRONTAL FRAME		
3	94500000074	RIGHT FOOTBOARD		
4	94500000075	LEFT FOOTBOARD		
5	00111970150	M10 VIBRATION DUMPING		
6	95500470001	LONG SEAT SPRING		
7	95500000039	SHORT SEAT SPRING		
9	94500000042	ACCELERATOR SUPPORT		
10	94500000102	BRAKE SPRING SUPPORT		
11	94500000103	BRAKE RECOVERY SPRING		
12	94500310001	BRAKE SHEATH FIXING PLATE		
13	94500290000	ANGULAR		
14	94500620000	TANK FIXING ANGULAR		
15	94500000056	SPRING SUPPORT		
16	95070000001	COMPENSATION SPRING		
17	94500000032	HAND BRAKE SUPPORT		
18	00111990015	HAND BRAKE LEVER		
19	PZ95500390000	HAND BRAKE SUPPORT		
20	94500380001	HAND BRAKE CABLE		
21	00111750006	SPLIT PIN 1,6X20		
22	95002000004	HOPPER STOP PIN		
23	PZ95042190000	MICRO SUPPORT		
24	94500490000	SEAT SUPPORT LOCK		
25	00111000132	WASHER P. 8,4X32X2,5 ZNT		
26	94500140003	TIGHTENER SUPPORT		
27	00111450001	SCREW WASHER M8X25		
28	00111000071	SELF BLO. NUT M8		
29	00111450005	SCREW/W M6X16		
30	00111000166	SELF BL. SCREW M6		
31	00111300015	SCREW TE M8X55		
32	00111000095	SELF BLO. NUT M8		
33	00111450003	SCREW WASHER M8X20		
34	00111000031	SCREW TE M8X65		
35	00111000059	FAKE SCREW/WASH. M8X14		
36	00111000070	WASHER P. 11X30X2.5 ZNT		
37	00111150002	NUT M10 6S ZNT		
38	00111000082	NUT M8		
39	00111450004	SCREW WASHER M8X12		
40	00111000041	WASHER 8X25X1.5		
41	00111000061	WASHER 8.4X24X2		
42	00111000183	SELF BL. NUT M5		
43	00111000184	SCREW TE M5X10		
44	00111990104	THROTTLE LEVER WITH BLACK KNOB		
45	00111610003	RED STARTER LEVEL KNOB		
46	00111610004	BLACK ACCELERATOR LEVER		
47	95597060000	KIT		



#

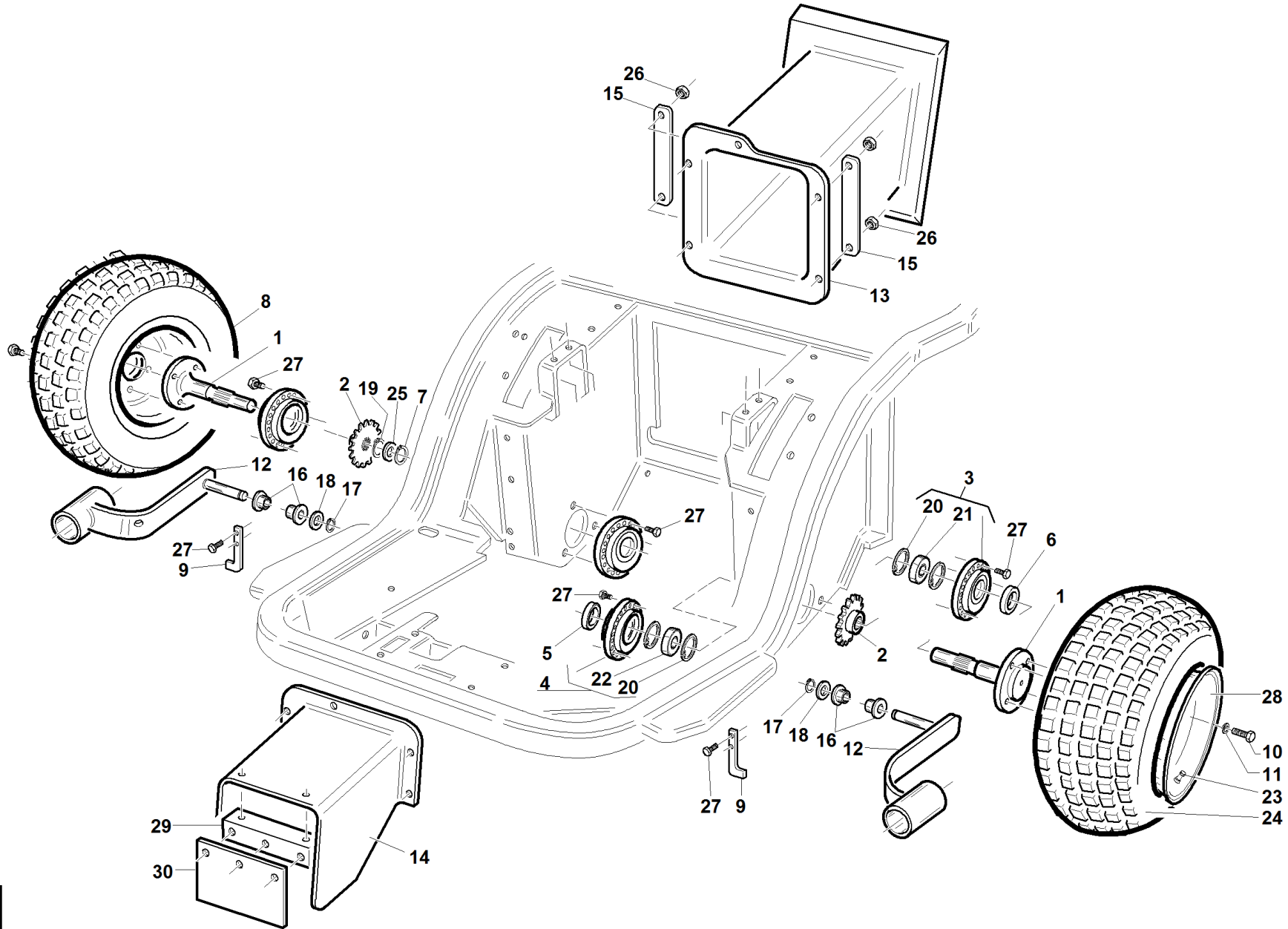
P/N

DESCRIPTION

TG TECH

REF. 04- 00555991626

1	94500350000	ANGULAR	
2	94500000035	ANGULAR	
3	94500710000	CARDAN SHAFT SUPPORT	
4	00777100001	KOYO BEARING 6205 2RS	
5	00777100020	KOYO BEARING 6204 2RS	
6	94010000021	CARDAN SHAFT	
7	94500000017	CARDAN PULLEY	
8	00111000123	TONGUE A 8X7X25	
9	94500000043	SEAT MICRO SUPPORT	
10	00111970127	STOPPER M8 D30X20	
11	94500000106	CONNECTOR SUPPORT	
12	00111980026	BELT GATES POWERATED 6972	
13	94500140003	TIGHTENER SUPPORT	
14	00111000071	SELF BLO. NUT M8	
15	00111450005	SCREW/W M6X16	
16	00111000166	SELF BL. SCREW M6	
17	00111450003	SCREW WASHER M8X20	
18	00111650013	SNAP RING D.20X1,5 E	
19	00111450010	SCREW/W M6X10	
20	00777201900	COMPLETE JOINT	
21	00111300011	SCREW TE M6X20	



S/N
→0511042

REF.05- 00555991641

#

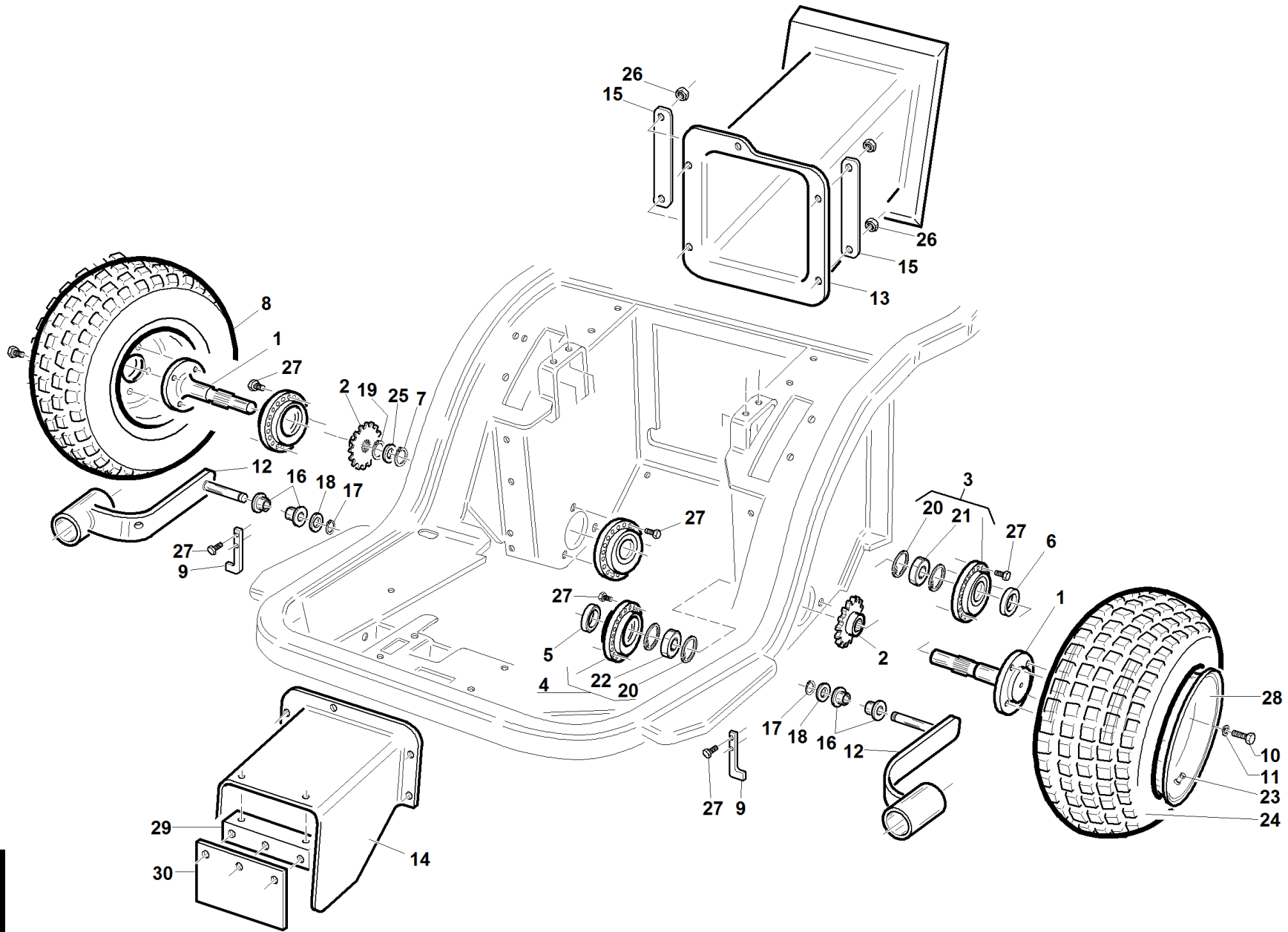
P/N

DESCRIPTION

TG TECH

REF. 05- 0055991641

1	94500200001	AXLE SHAFT		
2	94500000119	PINION Z=15		
3	94500310000	OUTSIDE HUB		
4	94500130000	INSIDE HUB		
5	94500000087	INSIDE BEARING PROTECTION		
6	94500000089	OUTSIDE BEARING PROTECTION		
7	00111650013	SNAP RING D.20X1,5 E		
8	94500220000	WHEEL 16X750-8		
9	94500000098	STOP ARMS PLATE		
10	00111300055	SCREW TE M12X1,25X25		
11	00111550004	ELASTIC WASHER M12		
12	94500230000	LIFTING ARM		
13	94500000138	REAR TUNNEL		
14	94500060000	FRONT TUNNEL TG TECH		
15	94500000099	TUNNEL FIXING PLATE		
16	95001000060	BRASS BUSHING		
17	00111650004	SNAP RING D.15 E		
18	00111500004	WASHER 15,2X28X2.5		
19	00111650037	SNAP RING E X Ø25 UNI 7435		
20	00111650009	SNAP RING D.52 I		
21	00777100027	BEARING 6205 2RS		
22	00777100044	BEARING 6304 2RS		
23	00111930006	TUBELESS VALVE TR413		
24	00111940018	PNEUMATIC 16X7.50-8		
25	00111500021	WASHER 20X28X1,5		
26	00111000071	SELF BLO. NUT M8		
27	00111450003	SCREW WASHER M8X20		
28	94500000041	5.75"X8" WHEEL RIM		
29	94500000113	TUNNEL SUPPORT		
30	94010000077	TUNNEL RUBBER		



S/N

→04142406 ÷ 04159112←

→0501001 ÷ 0511041 ←

REF.05- 00555991629

#

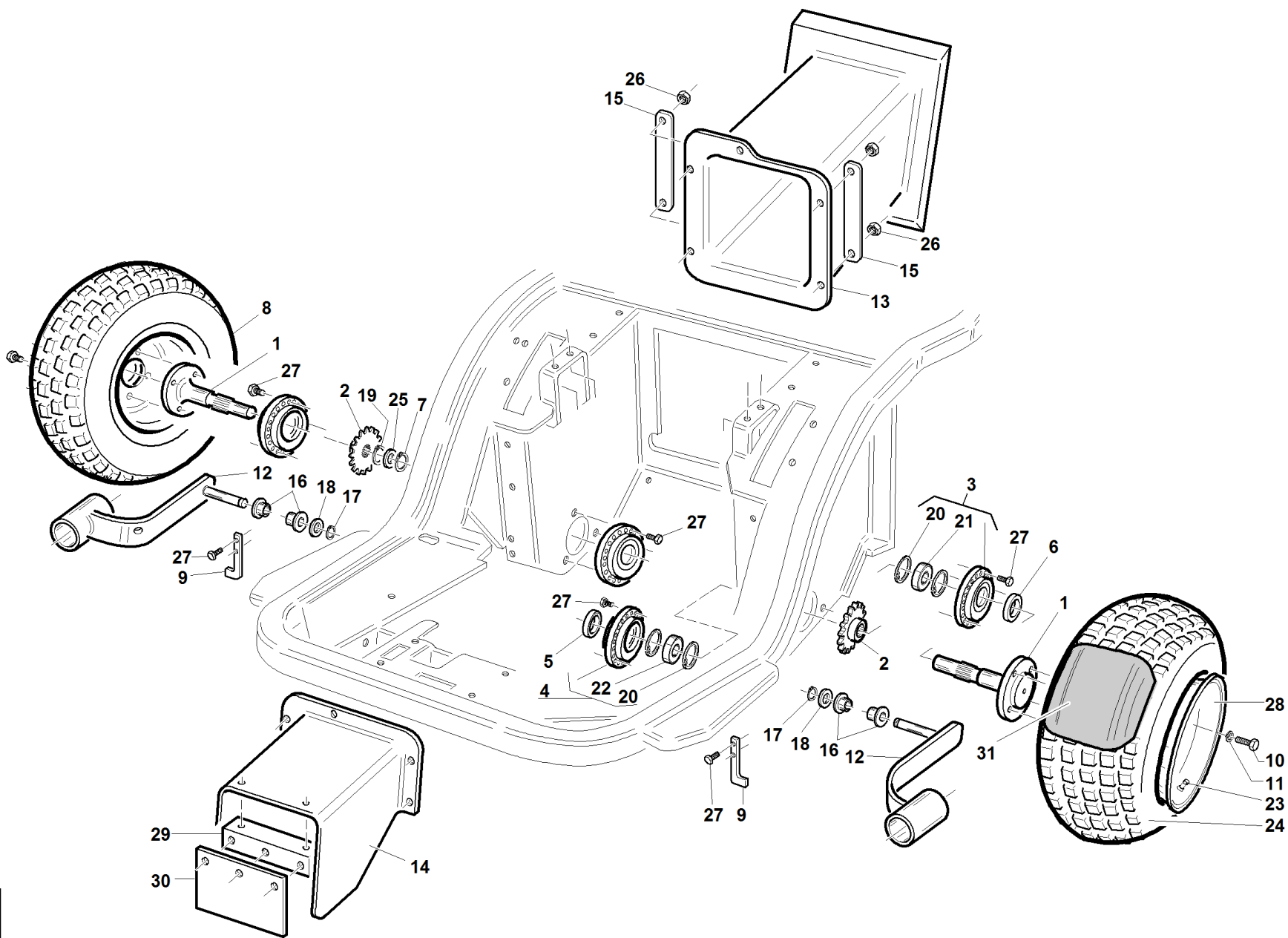
P/N

DESCRIPTION

TG TECH

REF. 05- 0055991629

1	94500200001	AXLE SHAFT
2	95599450000	Z15 GEAR KIT
3	94500310000	OUTSIDE HUB
4	94500130000	INSIDE HUB
5	94500000087	INSIDE BEARING PROTECTION
6	94500000089	OUTSIDE BEARING PROTECTION
7	00111650013	SNAP RING D.20X1,5 E
8	94500220000	WHEEL 16X750-8
9	94500000098	STOP ARMS PLATE
10	00111300055	SCREW TE M12X1,25X25
11	00111550004	ELASTIC WASHER M12
12	94500230000	LIFTING ARM
13	94500000138	REAR TUNNEL
14	94500060000	FRONT TUNNEL TG TECH
15	94500000099	TUNNEL FIXING PLATE
16	95001000060	BRASS BUSHING
17	00111650004	SNAP RING D.15 E
18	00111500004	WASHER 15,2X28X2.5
19	00111650037	SNAP RING E X Ø25 UNI 7435
20	00111650009	SNAP RING D.52 I
21	00777100027	BEARING 6205 2RS
22	00777100044	BEARING 6304 2RS
23	00111930006	TUBELESS VALVE TR413
24	00111940018	PNEUMATIC 16X7.50-8
25	00111500021	WASHER 20X28X1,5
26	00111000071	SELF BLO. NUT M8
27	00111450003	SCREW WASHER M8X20
28	94500000041	5.75"X8" WHEEL RIM
29	94500000113	TUNNEL SUPPORT
30	94010000077	TUNNEL RUBBER



S/N

→03000003÷ 04142306←

REF.05- 00555991612

#

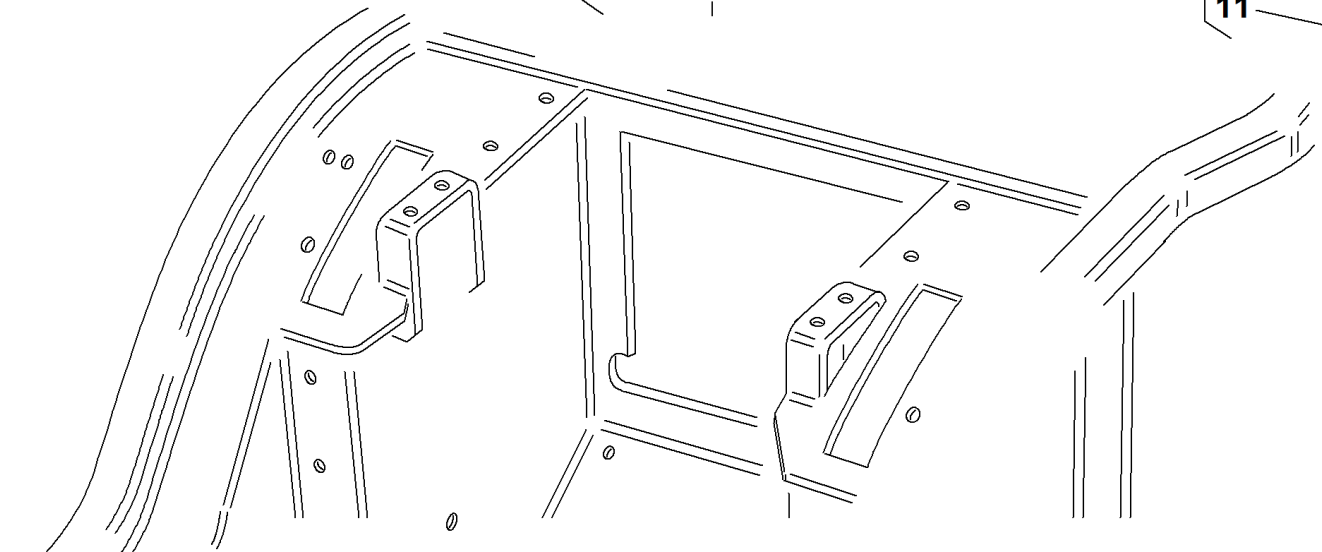
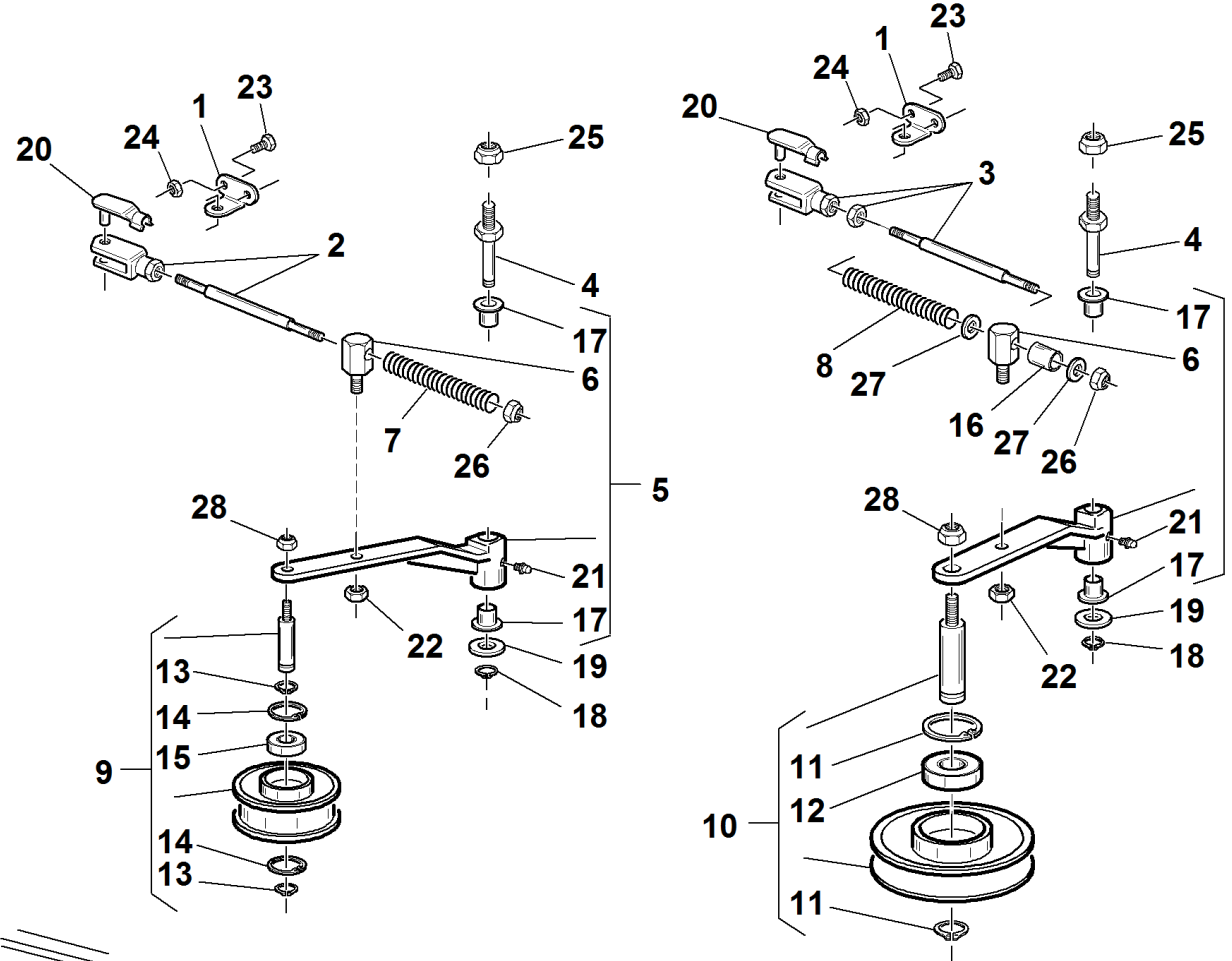
P/N

DESCRIPTION

TG TECH

REF. 05- 0055991612

1	94500200001	AXLE SHAFT	
2	95599450000	Z15 GEAR KIT	
3	94500310000	OUTSIDE HUB	
4	94500130000	INSIDE HUB	
5	94500000087	INSIDE BEARING PROTECTION	
6	94500000089	OUTSIDE BEARING PROTECTION	
7	00111650013	SNAP RING D.20X1,5 E	
8	94500220000	WHEEL 16X750-8	
9	94500000098	STOP ARMS PLATE	
10	00111300055	SCREW TE M12X1,25X25	
11	00111550004	ELASTIC WASHER M12	
12	94500230000	LIFTING ARM	
13	94500000138	REAR TUNNEL	
14	94500060000	FRONT TUNNEL TG TECH	
15	94500000099	TUNNEL FIXING PLATE	
16	95001000060	BRASS BUSHING	
17	00111650004	SNAP RING D.15 E	
18	00111500004	WASHER 15,2X28X2.5	
19	00111650037	SNAP RING E X Ø25 UNI 7435	
20	00111650009	SNAP RING D.52 I	
21	00777100027	BEARING 6205 2RS	
22	00777100044	BEARING 6304 2RS	
23	00111930006	TUBELESS VALVE TR413	
24	00111940018	PNEUMATIC 16X7.50-8	
25	00111500021	WASHER 20X28X1,5	
26	00111000071	SELF BLO. NUT M8	
27	00111450003	SCREW WASHER M8X20	
28	94500000041	5.75"X8" WHEEL RIM	
29	94500000113	TUNNEL SUPPORT	
30	94010000077	TUNNEL RUBBER	
31	00111930003	INNER TUBE 16.6.50X8	



#

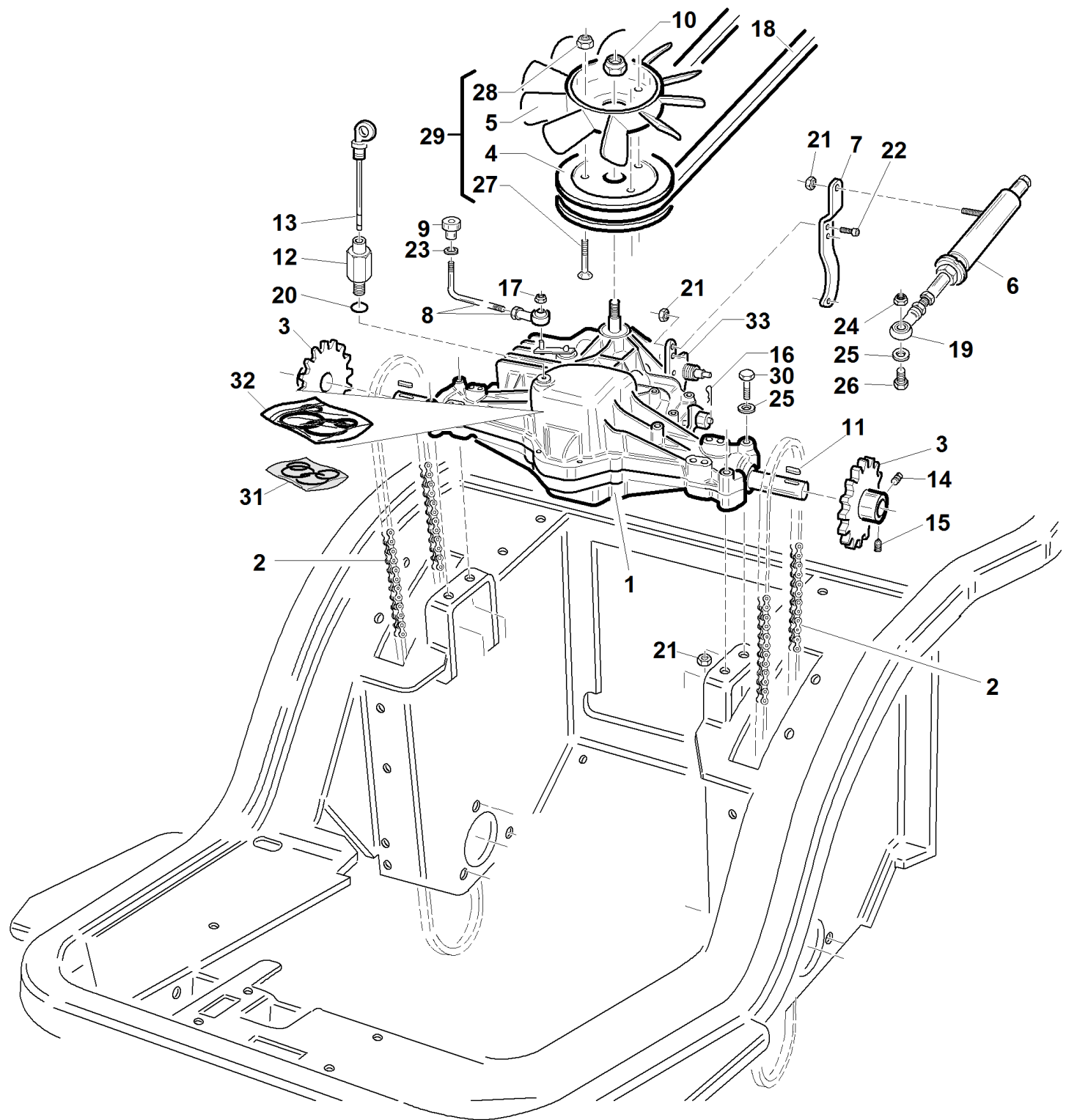
P/N

DESCRIPTION

TG TECH

REF. 06- 0055991620

1	94500140003	TIGHTENER SUPPORT	
2	94500730000	LEVER STAFF BELT TIGHTENER	
3	94500720000	LEVER STAFF BELT TIGHTENER	
4	94500000018	THIGHTENER PIN	
6	94500000069	SPRING EXAGON	
7	95001000049	SPRING BRAKE BELT	
8	94500000088	PTO TIGHTENER SPRING	
9	94500600000	BELT TIGHTENER PULLEY	
10	94500590000	BELT TIGHTENER PULLEY	
11	00111000057	SNAP RING D.20 E	
12	00777100025	KOYO BEARING 6304 2RS	
13	00111650014	SNAP RING D.17 E	
14	00111650005	SNAP RING D.35 I	
15	00777100032	KOYO BEARING 6003 2RS 17X35X10	
16	94500000112	PTO TIGHTENER TUBE	
17	95001000060	BRASS BUSHING	
18	00111650004	SNAP RING D.15 E	
19	00111500004	WASHER 15,2X28X2.5	
20	00111000194	FORKED PIN D.8	
21	00111000036	GREASER M6	
22	00111000080	SELF BLO. SCREW M10	
23	00111300011	SCREW TE M6X20	
24	00111000166	SELF BL. SCREW M6	
25	00111000077	SELF BLO. SCREW M14	
26	00111000071	SELF BLO. NUT M8	
27	00111000087	WASHER P.8,4X15.6X1,5	
28	00111250002	SELF BL. NUT M12	



S/N

→ **04142406 ÷ 04159112** ←

→ **0501001 ÷ 9999999** ←

REF.07- 00555991630

#

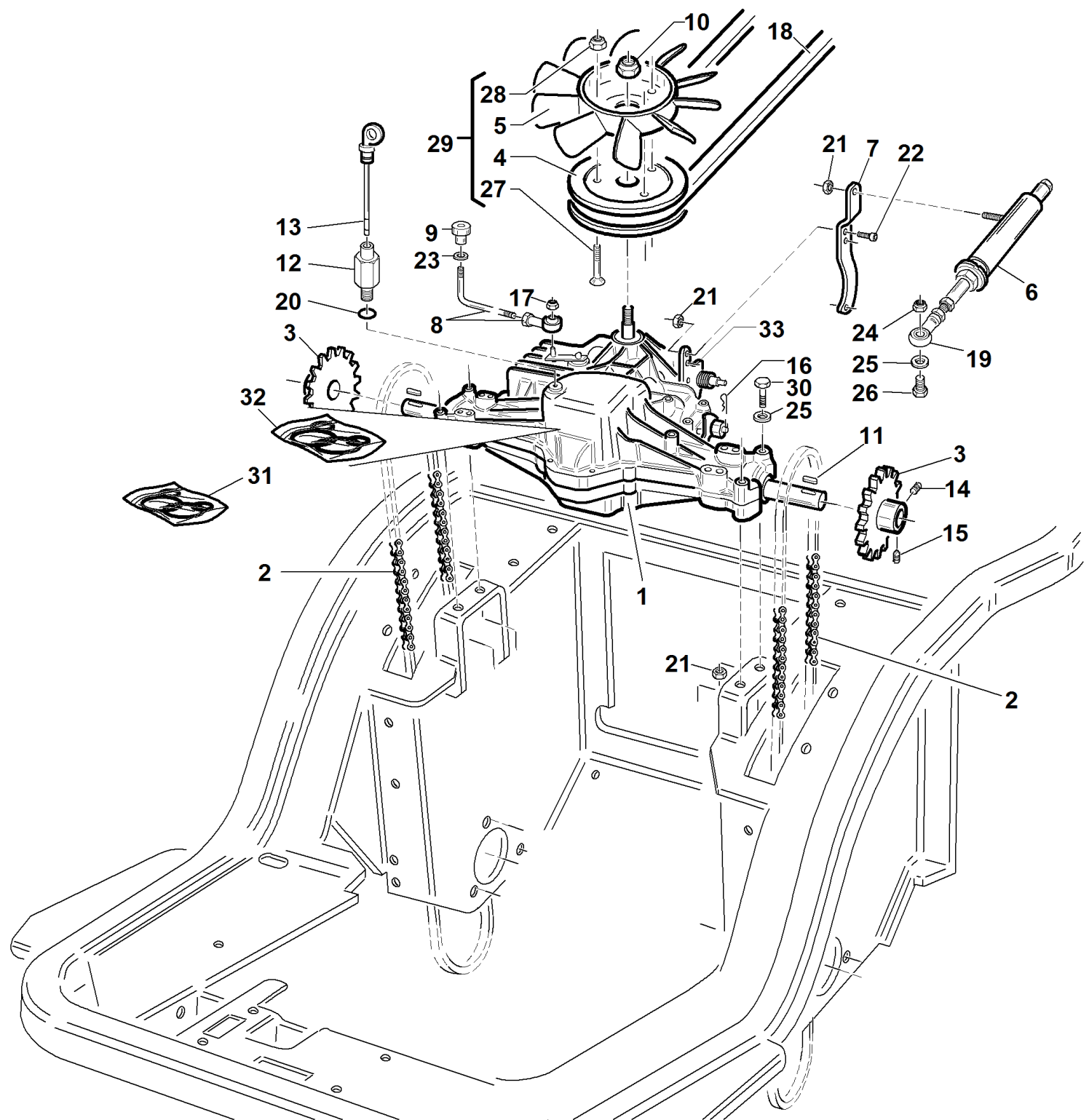
P/N

DESCRIPTION

TG TECH

REF. 07- 0055991630

1	00777600064	COMPACT AXLE		
2	95599000020	CHAINS 1642 COUPLE		
3	94500000118	PINION Z=15		
4	94500000036	HYDROST. GROUP PULLEY		
5	00111970129	FAN FOR AXLE		
6	95042230000	COMPLETE MECC. CYLINDER		
7	94500000058	HYDROST. GROUP LEVER		
8	94500550000	BYPASS ROD		
9	00111610001	KNOB M6		
10	00111150008	NUT 1/2" 20 UNF		
11	00111900008	TONGUE 3/16		
12	94010000095	EXTENSION		
13	00111990087	OIL DIPSTICK L=80		
14	00111960001	GRUB M8X10 NO POINT		
15	00111960005	GRUB M8X10 UNI 5927		
16	00111750004	"BETA DECO" SPLIT PIN		
17	00111250019	SELF BL.NUT 1/4		
18	00111980025	BELT GATES POWERATED 6852		
19	00777200007	ARTICULATION HEAD CF8 M8		
20	00777230005	OR RING 3043		
21	00111000071	SELF BLO. NUT M8		
22	00111400026	ALLEN SCREW M8X25 ZNT		
23	00111000037	WASHER 6.6X18X2		
24	00111000095	SELF BLO. NUT M8		
25	00111000087	WASHER P.8,4X15.6X1,5		
26	00111000033	SCREW TE M8X30		
27	00111350011	SCREW TSPEI M5X20		
28	00111250012	SELF BL. NUT METB 5MA		
29	94500740000	HYDRO.GROUP PULLEY		
30	00111300020	SCREW TE M8X70		
31	95599150000	AXLE OIL SEALS KIT 750/800		
32	95598200000	TRANSAXLE REPAIRING KIT		
33	00777600022	LEVER BDU 321		



S/N
→03000003÷ 04142306←

REF.07- 00555991621

#

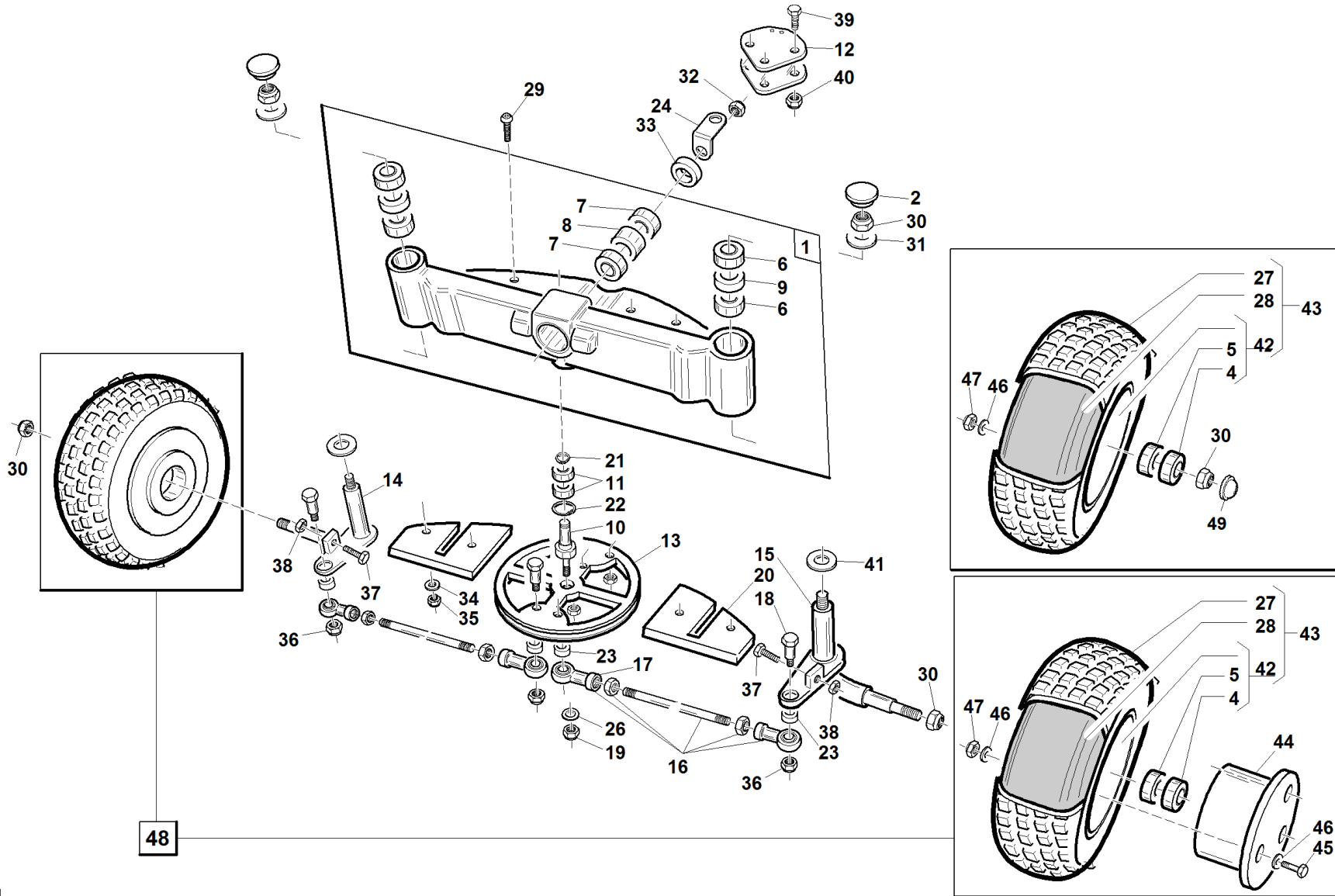
P/N

DESCRIPTION

TG TECH

REF. 07- 0055991621

1	00777600064	COMPACT AXLE		
2	95599000020	CHAINS 1642 COUPLE		
3	94500000118	PINION Z=15		
4	94500000036	HYDROST. GROUP PULLEY		
5	00111970129	FAN FOR AXLE		
6	95042230000	COMPLETE MECC. CYLINDER		
7	94500000058	HYDROST. GROUP LEVER		
8	94500550000	BYPASS ROD		
9	00111610001	KNOB M6		
10	00111150008	NUT 1/2" 20 UNF		
11	00111900008	TONGUE 3/16		
12	94010000095	EXTENSION		
13	00111990087	OIL DIPSTICK L=80		
14	00111960001	GRUB M8X10 NO POINT		
15	00111960005	GRUB M8X10 UNI 5927		
16	00111750004	"BETA DECO" SPLIT PIN		
17	00111250019	SELF BL.NUT 1/4		
18	00111980025	BELT GATES POWERATED 6852		
19	00777200007	ARTICULATION HEAD CF8 M8		
20	00777230005	OR RING 3043		
21	00111000071	SELF BLO. NUT M8		
22	00111400026	ALLEN SCREW M8X25 ZNT		
23	00111000037	WASHER 6.6X18X2		
24	00111000095	SELF BLO. NUT M8		
25	00111000087	WASHER P.8,4X15.6X1,5		
26	00111000033	SCREW TE M8X30		
27	00111350011	SCREW TSPEI M5X20		
28	00111250012	SELF BL. NUT METB 5MA		
29	94500740000	HYDRO.GROUP PULLEY		
30	00111300020	SCREW TE M8X70		
31	95599150000	AXLE OIL SEALS KIT 750/800		
32	95598200000	TRANSAXLE REPAIRING KIT		
33	00777600022	LEVER BDU 321		



S/N
→ **0511047**

REF.08- 00555991643

#

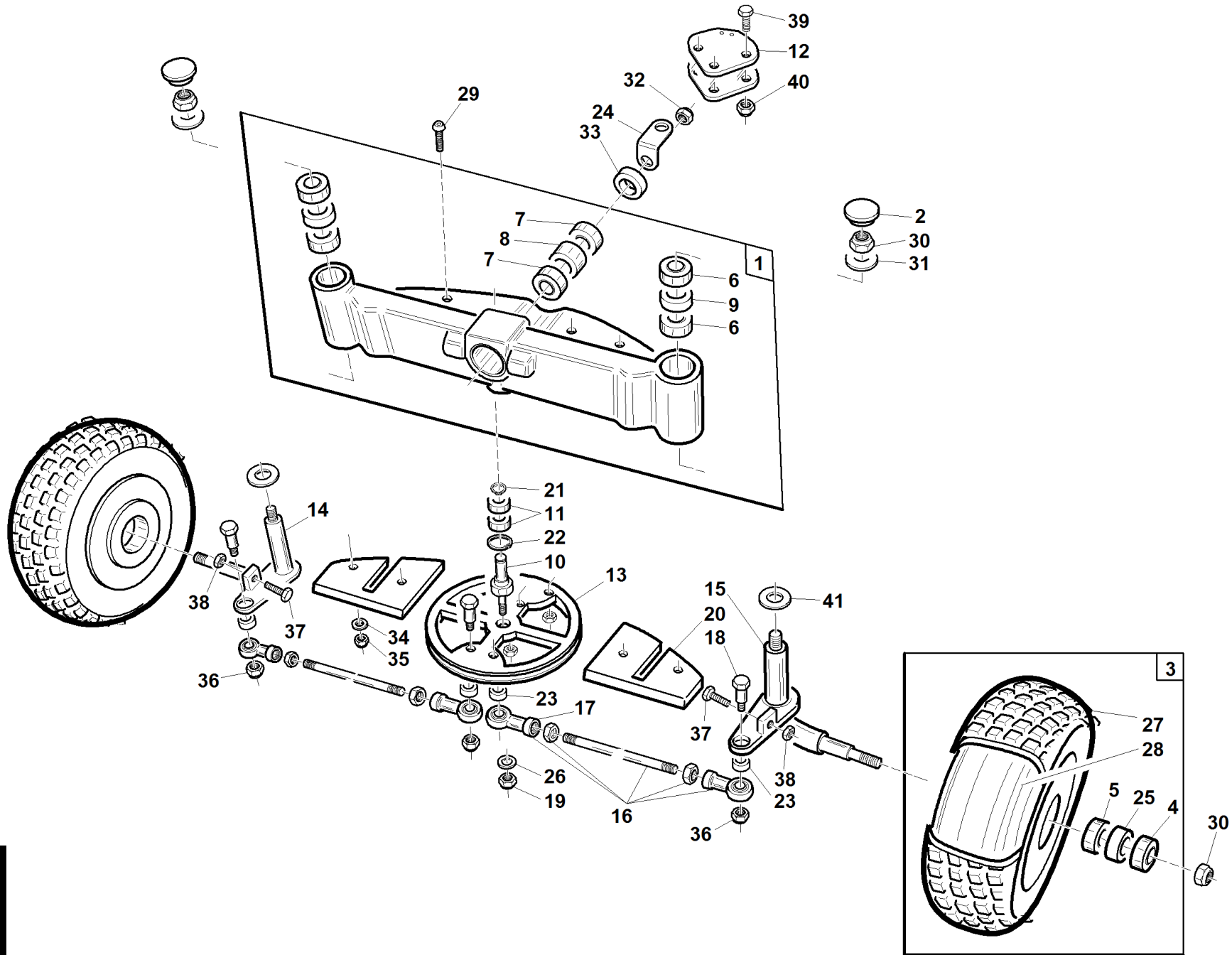
P/N

DESCRIPTION

TG TECH

REF. 08- 0055991643

1	94500400000	ASSEMBLED REAR AXLE
2	94500000095	REAR AXLE CAP
3	94500470000	COMPLETE REAR WHEEL
4	00777100028	KOYO BEARING 6303 2RS
4	00777100046	BEARING 6303 2RS
5	00777100008	BEARING 6204 2RS 20x47x14
6	00777100035	BEARING 6005 2RS 25X47X12
7	00777100012	BEARING 6006 2RS 30X55X13
8	94500000037	SPACER FIXING AXLE
9	95097000003	SPACER SHAFT WHEEL
10	94500000028	STEERING SHAFT
11	00777100010	BEARING 6003 2RS 17X35X10
12	94500000031	STEERING SHAPED PLATE
13	94500000029	PLATE
14	95559120000	RIGHT WHEEL SHAFT
15	95559130000	LEFT WHEEL SHAFT
16	95559200000	4 WHEELS THREADED BAR
17	00777200019	SPHEROX TF12 RIGHT
18	94500000039	SHAFT TYE-ROD STEERING
19	00111250003	SELF BL. NUT M16
20	94500000105	TG TECH BALLAST
21	00111650014	SNAP RING D.17 E
22	00111650005	SNAP RING D.35 I
23	94500000040	SPACER 12X20 L=9
24	94500000073	HOOK
25	94500370001	REAR WHEEL HUB SPACER
26	00111000170	WASHER 17X30X3
27	00111940014	TYRE 13X5.00-6
28	00111930001	CARLISE WHEEL 20X10.00-8
29	00111450013	SCREW TBEI M10X50
30	00111250011	SELF BL. NUT M14x1,5
31	95097000002	SPACER 14,5X32X4
32	00111000043	SELF BLO. NUT UNI 7473
33	95097000004	SPACER 20,5X45X4
34	00111000070	WASHER P. 11X30X2.5 ZNT
35	00111250004	SELF BL. NUT M10
36	00111250002	SELF BL. NUT M12
37	00111000103	SCREW TE M10X30
38	00111150002	NUT M10 6S ZNT
39	00111000137	SCREW TE M6X25
40	00111000166	SELF BL. SCREW M6
41	95097000006	SPACER 25,5X35X4
42	94500080001	RIM 3.75X6"
43	94500080000	REAR WHEEL
44	94500000135	TG TECH REAR BALLAST
45	00111300067	SCREW
46	00111000087	WASHER P.8,4X15.6X1,5
47	00111000071	SELF BLO. NUT M8
48	95599550000	WHEEL AND BALLAST KIT
49	00777270005	CAP D=47



S/N

→ **03000003 ÷ 04159112** ←

→ **0501001 ÷ 0511046** ←

REF.08- 00555991613

#

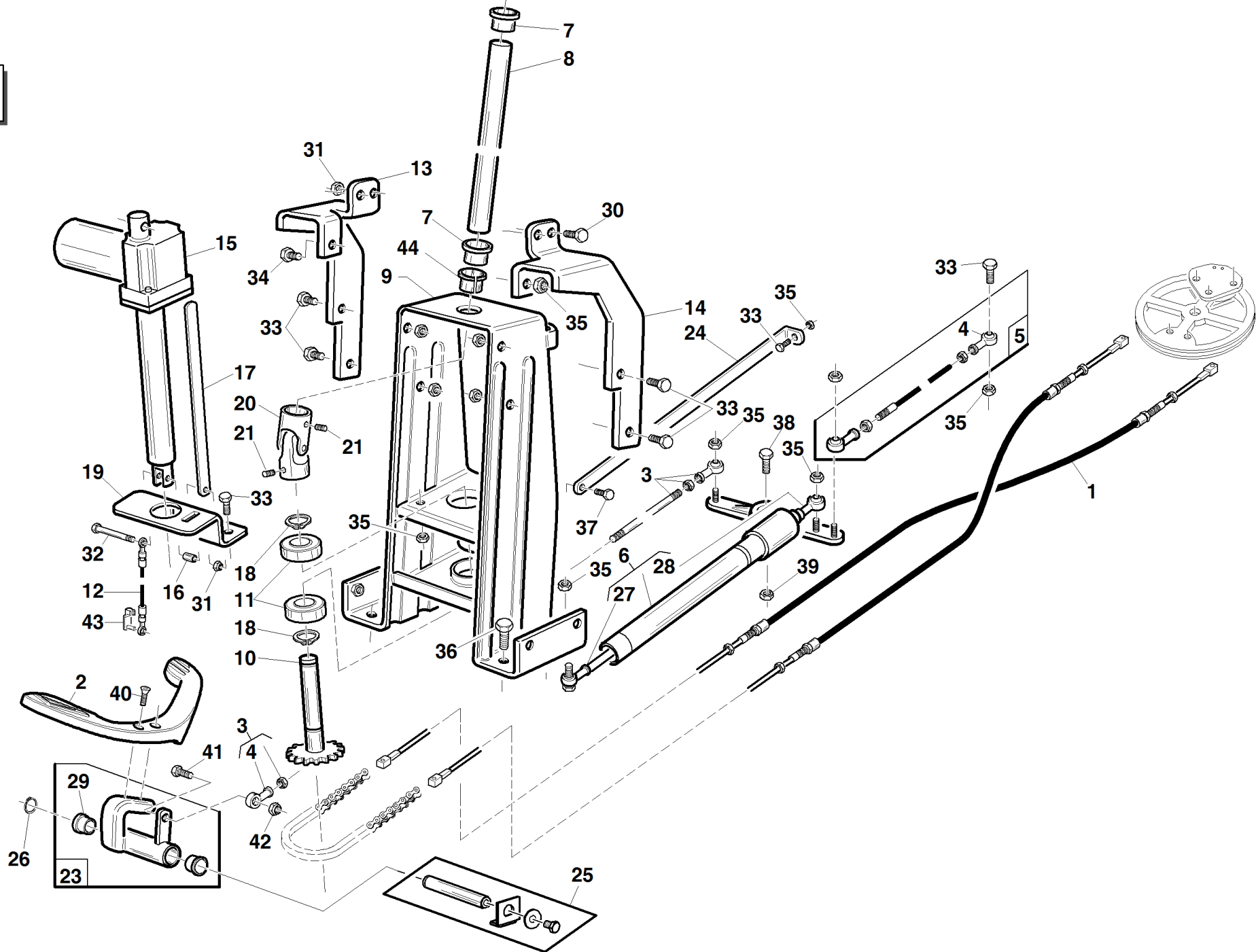
P/N

DESCRIPTION

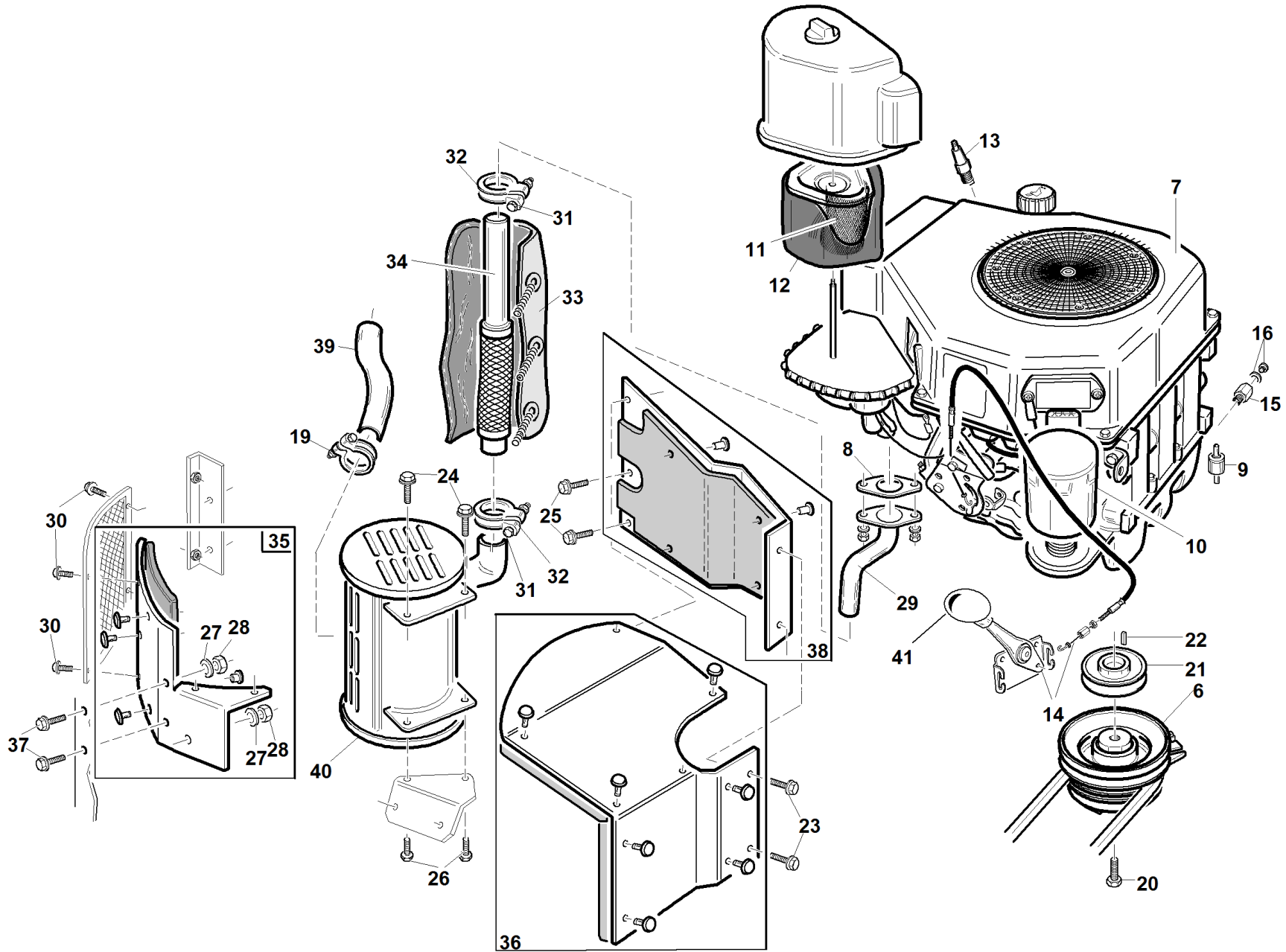
TG TECH

REF. 08- 0055991613

1	94500400000	ASSEMBLED REAR AXLE
2	94500000095	REAR AXLE CAP
3	95599550000	WHEEL AND BALLAST KIT
4	00777100046	BEARING 6303 2RS
5	00777100008	BEARING 6204 2RS 20x47x14
6	00777100035	BEARING 6005 2RS 25X47X12
7	00777100012	BEARING 6006 2RS 30X55X13
8	94500000037	SPACER FIXING AXLE
9	95097000003	SPACER SHAFT WHEEL
10	94500000028	STEERING SHAFT
11	00777100010	BEARING 6003 2RS 17X35X10
12	94500000031	STEERING SHAPED PLATE
13	94500000029	PLATE
14	95559120000	RIGHT WHEEL SHAFT
15	95559130000	LEFT WHEEL SHAFT
16	95559200000	4 WHEELS THREADED BAR
17	00777200019	SPHEROX TF12 RIGHT
18	94500000039	SHAFT TYE-ROD STEERING
19	00111250003	SELF BL. NUT M16
20	94500000105	TG TECH BALLAST
21	00111650014	SNAP RING D.17 E
22	00111650005	SNAP RING D.35 I
23	94500000040	SPACER 12X20 L=9
24	94500000073	HOOK
25	94500370001	REAR WHEEL HUB SPACER
26	00111000170	WASHER 17X30X3
27	00111940014	TYRE 13X5.00-6
28	00111930001	CARLISE WHEEL 20X10.00-8
29	00111450013	SCREW TBEI M10X50
30	00111250011	SELF BL. NUT M14x1,5
31	95097000002	SPACER 14,5X32X4
32	00111000043	SELF BLO. NUT UNI 7473
33	95097000004	SPACER 20,5X45X4
34	00111000070	WASHER P. 11X30X2.5 ZNT
35	00111250004	SELF BL. NUT M10
36	00111250002	SELF BL. NUT M12
37	00111000103	SCREW TE M10X30
38	00111150002	NUT M10 6S ZNT
39	00111000137	SCREW TE M6X25
40	00111000166	SELF BL. SCREW M6
41	95097000006	SPACER 25,5X35X4



#	P/N	DESCRIPTION	TG TECH	REF. 09- 0055991614
1	94500480000	STEERING CABLE WITH CHAIN		
2	95533000003	ACCELERATOR PEDAL		
3	94500690000	PEDAL THREATED TIE ROD		
4	00777200007	ARTICULATION HEAD CF8 M8		
5	94500700000	LEVER THREADED TIE ROD		
6	94010800000	HYDRAULIC CYLINDER		
7	95500000029	BUSHING STEERING		
8	95500000023	STEERING WHEEL SHAFT		
9	94500260000	STEERING COLUMN		
10	94500211900	PINION SHAFT		
11	00777100008	BEARING 6204 2RS 20x47x14		
12	94500000082	MOWER LIFTING CABLE		
13	94500000046	RIGTH MOWER ACTUATOR SUPPORT		
14	94500000050	LEFT MOWER ACTUATOR SUPPORT		
15	00777801800	MOWER ACTUATOR		
16	94500000010	ACTUATOR SPACER		
17	94500000060	ACTUATOR GUIDE PLATE		
18	00111000057	SNAP RING D.20 E		
19	94500000009	ACTUATOR GUIDE		
20	00777200002	STEERING JOINT		
21	00111000147	PIN EL D.5X30		
23	94500430000	PEDAL SUPPORT		
24	94500000081	CABLE SUPPORT		
25	95597270000	PEDAL PIN KIT		
26	00111650004	SNAP RING D.15 E		
27	00777200012	ROUND JOINT M8X1		
28	00777200011	ARTICULATION HEAD CF8 M8x1		
29	95001000060	BRASS BUSHING		
30	00111300011	SCREW TE M6X20		
31	00111000166	SELF LOCKING NUT M6 UNI 7473		
32	00111300025	SCREW TE M6X50		
33	00111450003	SCREW WASHER M8X20		
34	00111000129	SCREW UNI 5737		
35	00111000071	SELF LOCKING NUT M8 UNI 7473		
36	00111000059	FAKE SCREW/WASH. M8X14		
37	00111450005	SCREW/W M6X16		
38	00111300043	SCREW TE UNI 5737 M10x45 8.8		
39	00111250004	SELF LOCKING NUT M10 UNI 7473		
40	00111350022	SCREW TSPEI M8X30 ZNT		
41	00111300008	SCREW TE M8X25		
42	00111000095	SELF BLO. NUT M8		
43	00111990030	SHAFT CLOSING		
44	00111990017	BUSHING WITH EDGE TFF 20/16,5		



S/N
→0504092

REF. 10- 00555991636

#

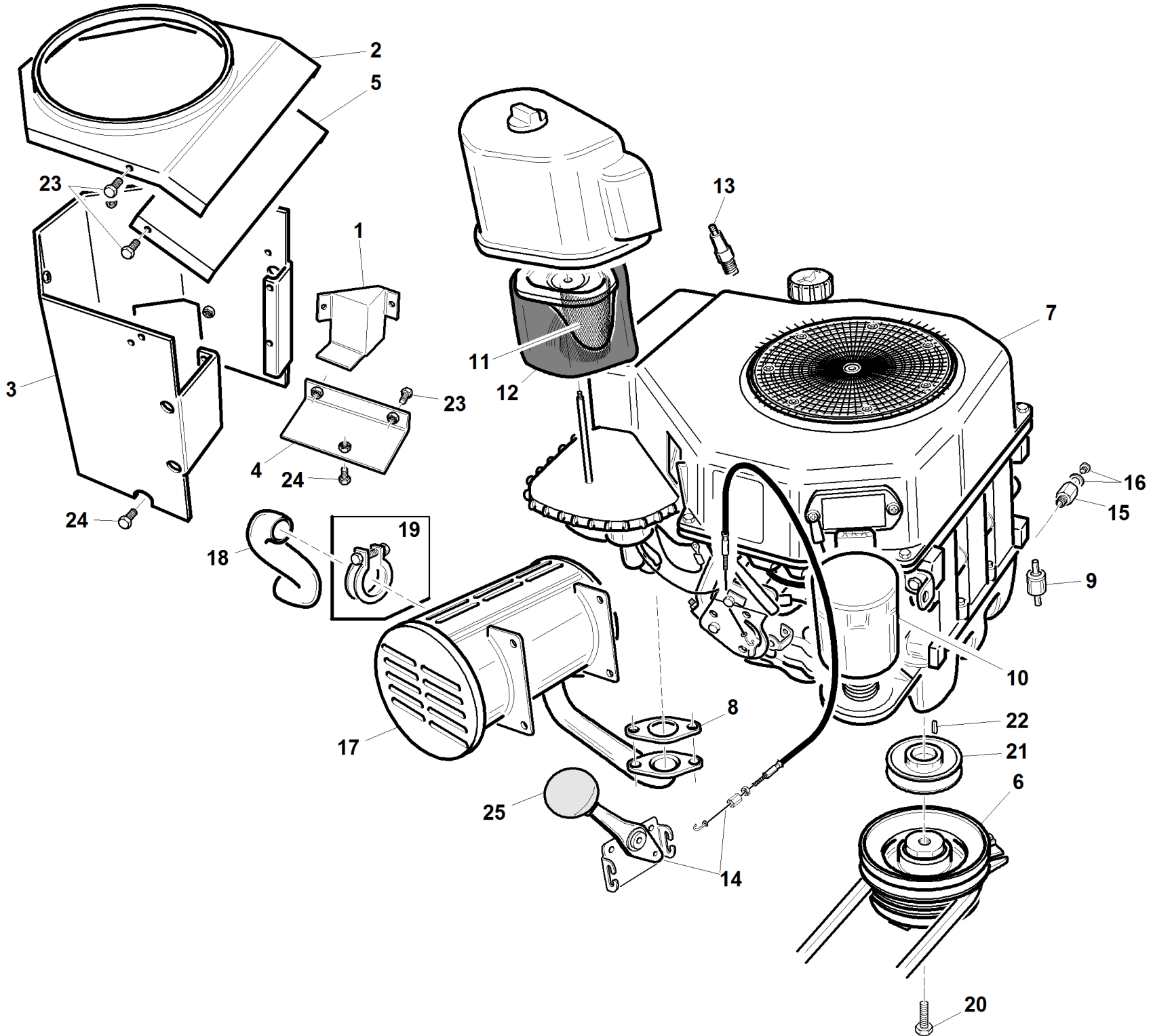
P/N

DESCRIPTION

TG TECH

REF. 10- 0055991636

6	00777801700	"WARNER" CLUTCH		
7	00777700020	ENGINE 15.5 HP KOHLER		
8	00111990101	KOHLER EXHAUST GASKET 15.5HP		
9	00777650034	PETROL FILTER 15.5HP-KOHLER		
10	00777650032	KOHLER OIL FILTER		
11	00777650031	KOHLER AIR FILTER		
12	00777650030	KOHLER AIR PRECLEANER		
13	00777750004	KOHLER SPARK PLUG 15 HP		
14	95599410000	KIT THROTTLE LEVER		
15	94500000048	OIL RELIEF EXTENSION		
16	00111990099	COVER FOR OIL EXHAUST 3/8"		
19	00111810030	MUFFLER CLAMP R36		
20	00111300056	SCREW TE 7/16-20 L=60		
21	94500000001	ENGINE PULLEY		
22	00111990008	PIN KEY 1/4X1/4X38		
23	00111450010	SCREW/W M6X10		
24	00111450005	SCREW/W M6X16		
25	00111000059	FAKE SCREW/WASH. M8X14		
26	00111000137	SCREW TE M6X25		
27	00111000087	WASHER P.8,4X15.6X1,5		
28	00111000071	SELF BLO. NUT M8		
29	94500000124	EXHAUST COLLECTOR		
30	00111450014	SCREW FR M6X12		
31	00111300021	SCREW TE M8X45		
32	00111810032	MUFFLER CLAMP R33		
33	94500000134	THERMIC COVER		
34	94500000127	FLEXIBLE COLLECTOR		
35	94500980000	UPPER EXHAUST SUPPORT		
36	94500090000	ASSEMBLED MUFFLER CONVEYOR		
37	00111450003	SCREW WASHER M8X20		
38	94500990000	EXHAUST PLATE		
39	94500000125	EXHAUST COLLECTOR		
40	PP94500000126	EXHAUST END WELDED		
41	00111610004	BLACK ACCELERATOR LEVER		



S/N

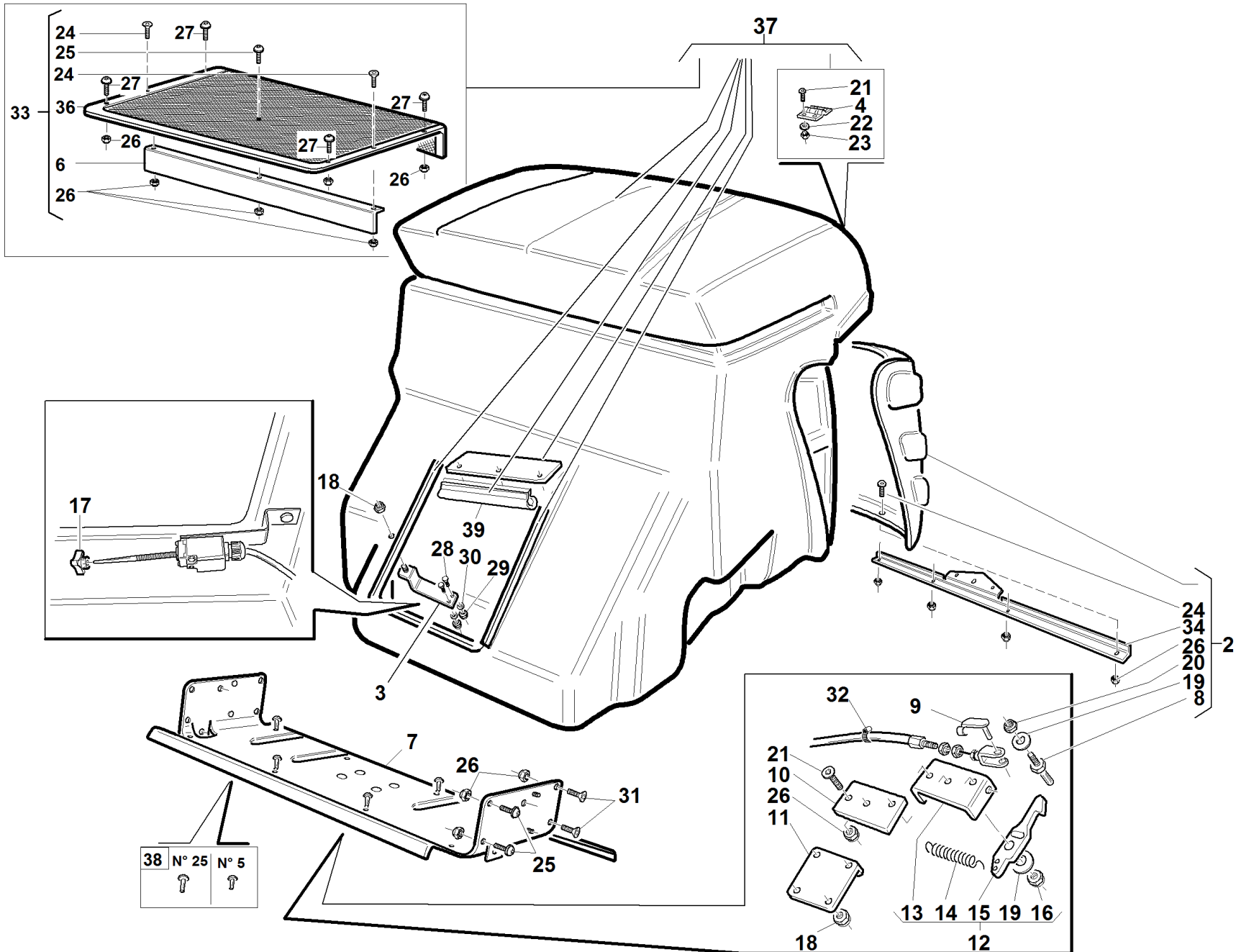
→ 03000003 ÷ 04159112 ←

→ 0501001 ÷ 0504091 ←

REF.10- 00555991615

#	P/N	DESCRIPTION	TG TECH
1	94500000101	EXHAUST GUARD BOX	
2	94500000100	MUFFLER GUARD COVER	
3	94500520000	EXHAUST BOX	
4	94500530000	ANGULAR	
5	94500540000	EXHAUST PROTECTION BUMPER	
6	00777801700	"WARNER" CLUTCH	
7	00777700020	ENGINE 15.5 HP KOHLER	
8	00111990101	KOHLER EXHAUST GASKET 15.5HP	
9	00777650034	PETROL FILTER 15.5HP-KOHLER	
10	00777650032	KOHLER OIL FILTER	
11	00777650031	KOHLER AIR FILTER	
12	00777650030	KOHLER AIR PRECLEANER	
13	00777750004	KOHLER SPARK PLUG 15 HP	
14	95599410000	KIT THROTTLE LEVER	
15	94500000048	OIL RELIEF EXTENSION	
16	00111990099	COVER FOR OIL EXHAUST 3/8"	
17	00111990100	TG TECH KOHLER EXHAUST	
18	94500440000	EXHAUST COLLECTOR	
19	00111810030	MUFFLER CLAMP R36	
20	00111300056	SCREW TE 7/16-20 L=60	
21	94500000001	ENGINE PULLEY	
22	00111990008	PIN KEY 1/4X1/4X38	
23	00111450010	SCREW/W M6X10	
24	00111450005	SCREW/W M6X16	
25	00111610004	BLACK ACCELERATOR LEVER	

TG TECH



S/N
→ **00511042**

REF. 11- 00555991642

#

P/N

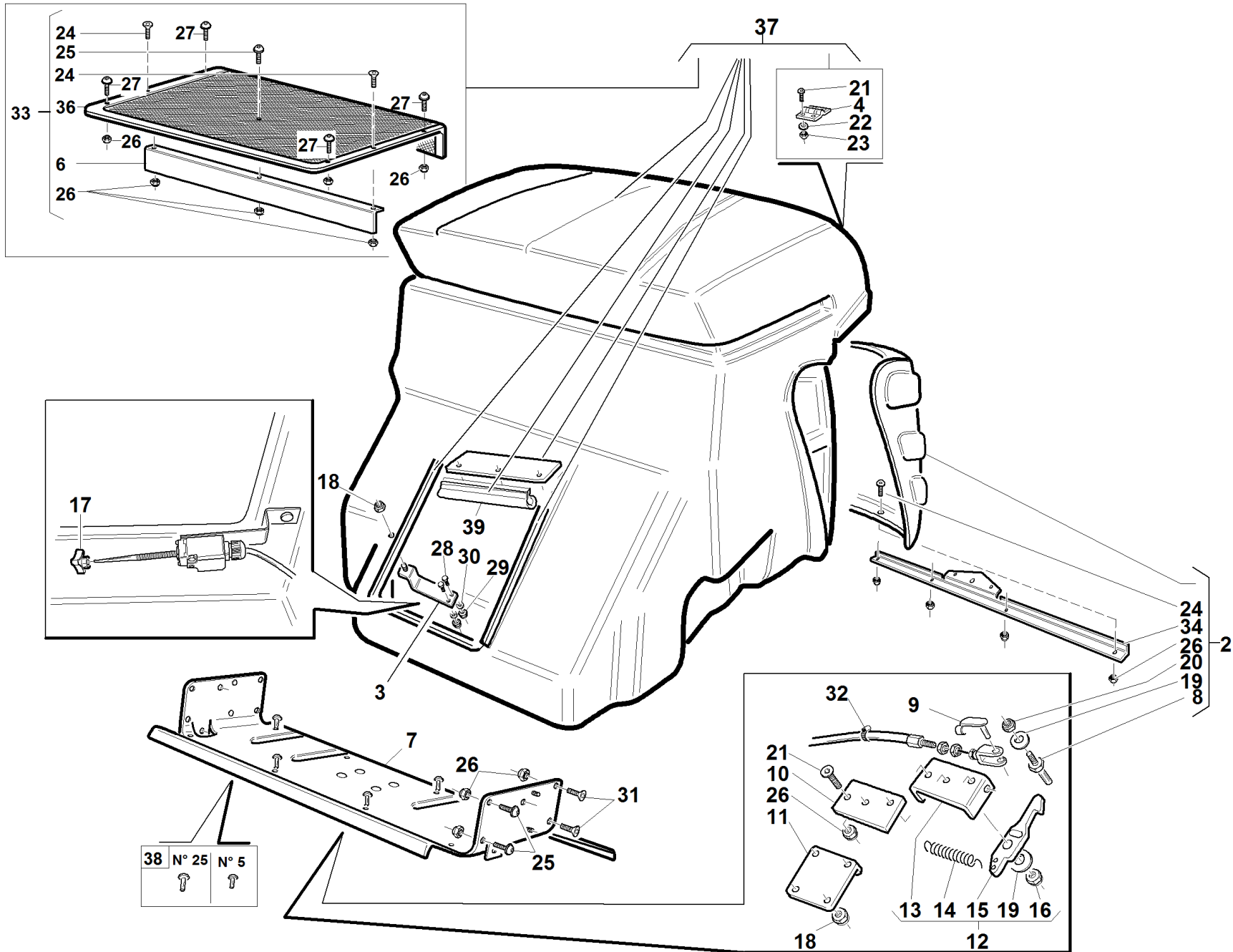
DESCRIPTION

TG TECH

REF. 11- 0055991642

2	94500050000	ASSEMB.TG TECH -GTS COLLECTOR COVER	
3	94500630000	HOPPER MICRO SUPPORT	
4	00777580003	METAL HING 50x76	
6	94500460000	COLLECTOR GRID WING	
7	94500270000	HOPPER SUPPORT	
8	94500000109	CLOSER HOPPER DRILL ROD	
9	00777180001	FORKED PIN D.8	
10	94500000108	HOOK SUPPORT SPACER	
11	94500000072	CENTRING HOPPER PLATE	
12	94500810000	HOPPER HOOK	
13	94017190000	HOOK SUPPORT	
14	94500000111	TG TECH ENCLOSING SPRING	
15	94500000083	TG TECH HOPPER HOOK	
16	00111000080	SELF BLO. SCREW M10	
17	00111970042	FEMALE KNOB THB20M4	
18	00111000071	SELF BLO. NUT M8	
19	00111000070	WASHER P. 11X30X2.5 ZNT	
20	00111250004	SELF BL. NUT M10	
21	00111350030	SCREW TSPEI M6X25	
22	00111000037	WASHER 6.6X18X2	
23	00111000166	SELF BL. SCREW M6	
24	00111000014	SCREW TSPEI M6X16	
25	00111300011	SCREW TE M6X20	
26	00111000035	SELF BLOC. NUT M6	
27	00111450012	SCREW FR M 6X20	
28	00111300024	SCREW TE M4X35	
29	00111250006	SELF BL. NUT M4	
30	00111500010	WASHER 4.3X9X0.8	
31	00111350023	SCREW TSPEI M6X20	
32	00111810017	CLAMP 5-16	
33	95598550000		
34	94500000110	REINFORCEMENT	
36	94500970000	TG TECH HOPPER GRID	
37	94500040000	ASSEMBLED TG TECH HOPPER	
38	95598560000		
39	94500830002	HOPPER WASHER L=930	

TG TECH



S/N

→ 0504075 ÷ 0511041 ←

REF. 11- 00555991637

#

P/N

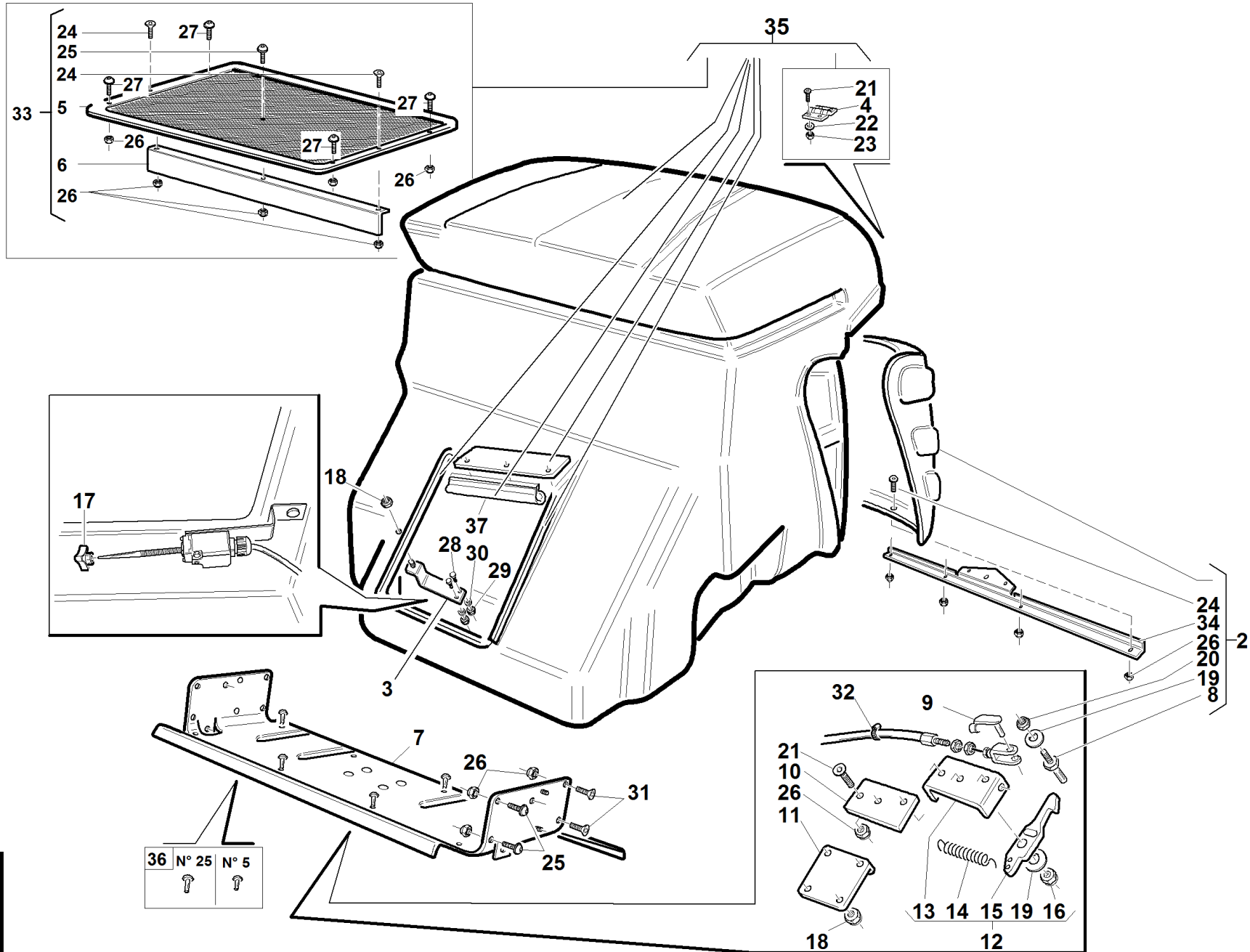
DESCRIPTION

TG TECH

REF. 11- 0055991637

2	94500050000	ASSEMB.TG TECH -GTS COLLECTOR COVER	
3	94500630000	HOPPER MICRO SUPPORT	
4	00777580003	METAL HING 50x76	
6	94500460000	COLLECTOR GRID WING	
7	94500270000	HOPPER SUPPORT	
8	94500000109	CLOSER HOPPER DRILL ROD	
9	00777180001	FORKED PIN D.8	
10	94500000108	HOOK SUPPORT SPACER	
11	94500000072	CENTRING HOPPER PLATE	
12	94500810000	HOPPER HOOK	
13	94017190000	HOOK SUPPORT	
14	94500000111	TG TECH ENCLOSING SPRING	
15	94500000083	TG TECH HOPPER HOOK	
16	00111000080	SELF BLO. SCREW M10	
17	00111970042	FEMALE KNOB THB20M4	
18	00111000071	SELF BLO. NUT M8	
19	00111000070	WASHER P. 11X30X2.5 ZNT	
20	00111250004	SELF BL. NUT M10	
21	00111350030	SCREW TSPEI M6X25	
22	00111000037	WASHER 6.6X18X2	
23	00111000166	SELF BL. SCREW M6	
24	00111000014	SCREW TSPEI M6X16	
25	00111300011	SCREW TE M6X20	
26	00111000035	SELF BLOC. NUT M6	
27	00111450012	SCREW FR M 6X20	
28	00111300024	SCREW TE M4X35	
29	00111250006	SELF BL. NUT M4	
30	00111500010	WASHER 4.3X9X0.8	
31	00111350023	SCREW TSPEI M6X20	
32	00111810017	CLAMP 5-16	
33	95598550000		
34	94500000110	REINFORCEMENT	
36	94500970000	TG TECH HOPPER GRID	
37	94500040000	ASSEMBLED TG TECH HOPPER	
38	95598560000		
39	94500830002	HOPPER WASHER L=930	

TG TECH



S/N

→ 03000003 ÷ 04159112 ←

→ 0501001 ÷ 0504074 ←

REF. 11-00555991616

#

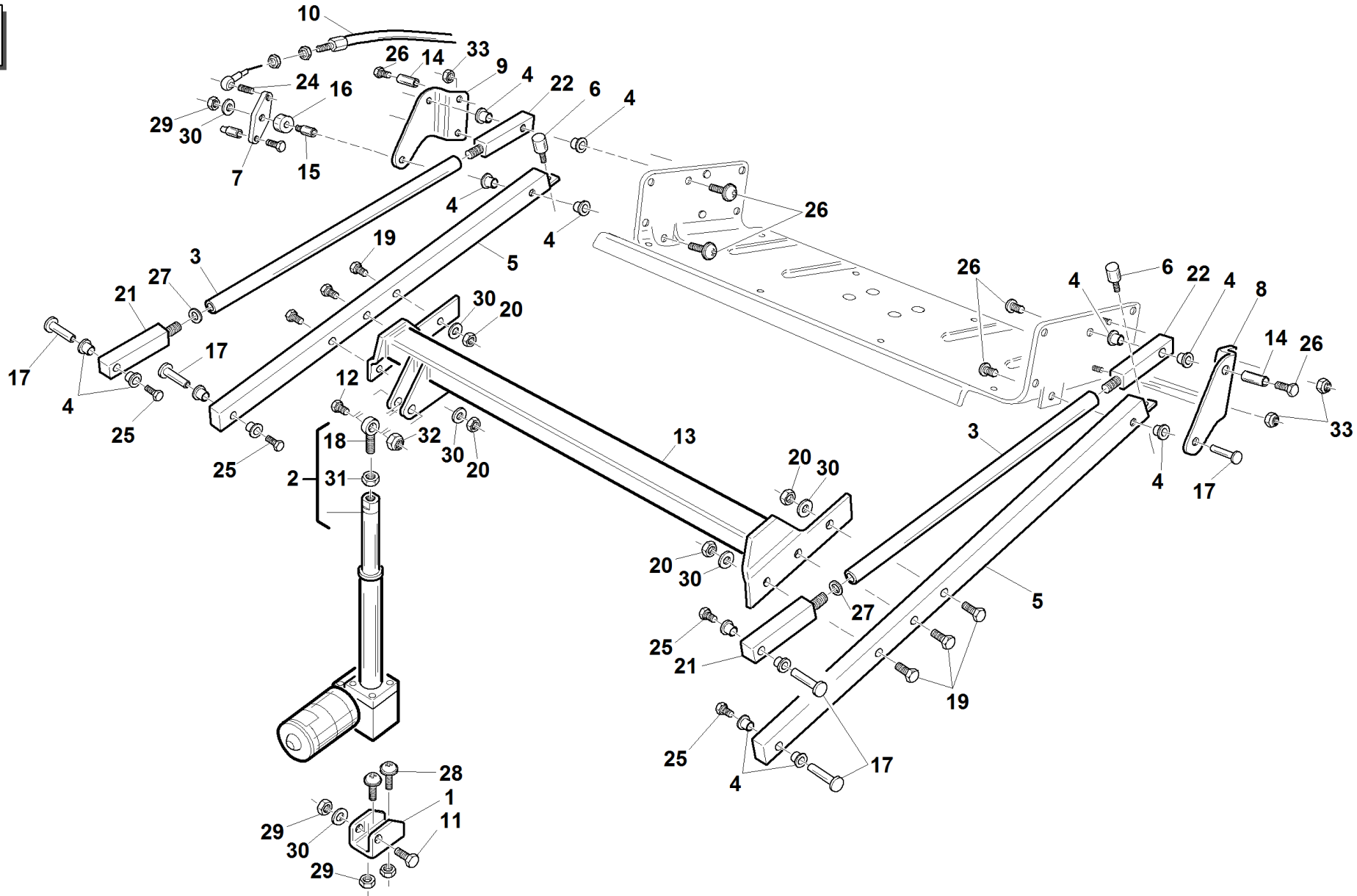
P/N

DESCRIPTION

TG TECH

REF. 11-00555991616

2	94500050000	ASSEMB.TG TECH -GTS COLLECTOR COVER		
3	94500630000	HOPPER MICRO SUPPORT		
4	00777580003	METAL HING 50x76		
5	94500450000	TG TECH COLLECTOR GRID		
6	94500460000	COLLECTOR GRID WING		
7	94500270000	HOPPER SUPPORT		
8	94500000109	CLOSER HOPPER DRILL ROD		
9	00777180001	FORKED PIN D.8		
10	94500000108	HOOK SUPPORT SPACER		
11	94500000072	CENTRING HOPPER PLATE		
12	94500810000	HOPPER HOOK		
13	94017190000	HOOK SUPPORT		
14	94500000111	TG TECH ENCLOSING SPRING		
15	94500000083	TG TECH HOPPER HOOK		
16	00111000080	SELF BLO. SCREW M10		
17	00111970042	FEMALE KNOB THB20M4		
18	00111000071	SELF BLO. NUT M8		
19	00111000070	WASHER P. 11X30X2.5 ZNT		
20	00111250004	SELF BL. NUT M10		
21	00111350030	SCREW TSPEI M6X25		
22	00111000037	WASHER 6.6X18X2		
23	00111000166	SELF BL. SCREW M6		
24	00111000014	SCREW TSPEI M6X16		
25	00111300011	SCREW TE M6X20		
26	00111000035	SELF BLOC. NUT M6		
27	00111450012	SCREW FR M 6X20		
28	00111300024	SCREW TE M4X35		
29	00111250006	SELF BL. NUT M4		
30	00111500010	WASHER 4.3X9X0.8		
31	00111350023	SCREW TSPEI M6X20		
32	00111810017	CLAMP 5-16		
33	95599240000	TG TECH COMPLETE HOPPER GRID		
34	94500000110	REINFORCEMENT		
35	94500040000	ASSEMBLED TG TECH HOPPER		
36	95598560000			
37	94500830002	HOPPER WASHER L=930		



#

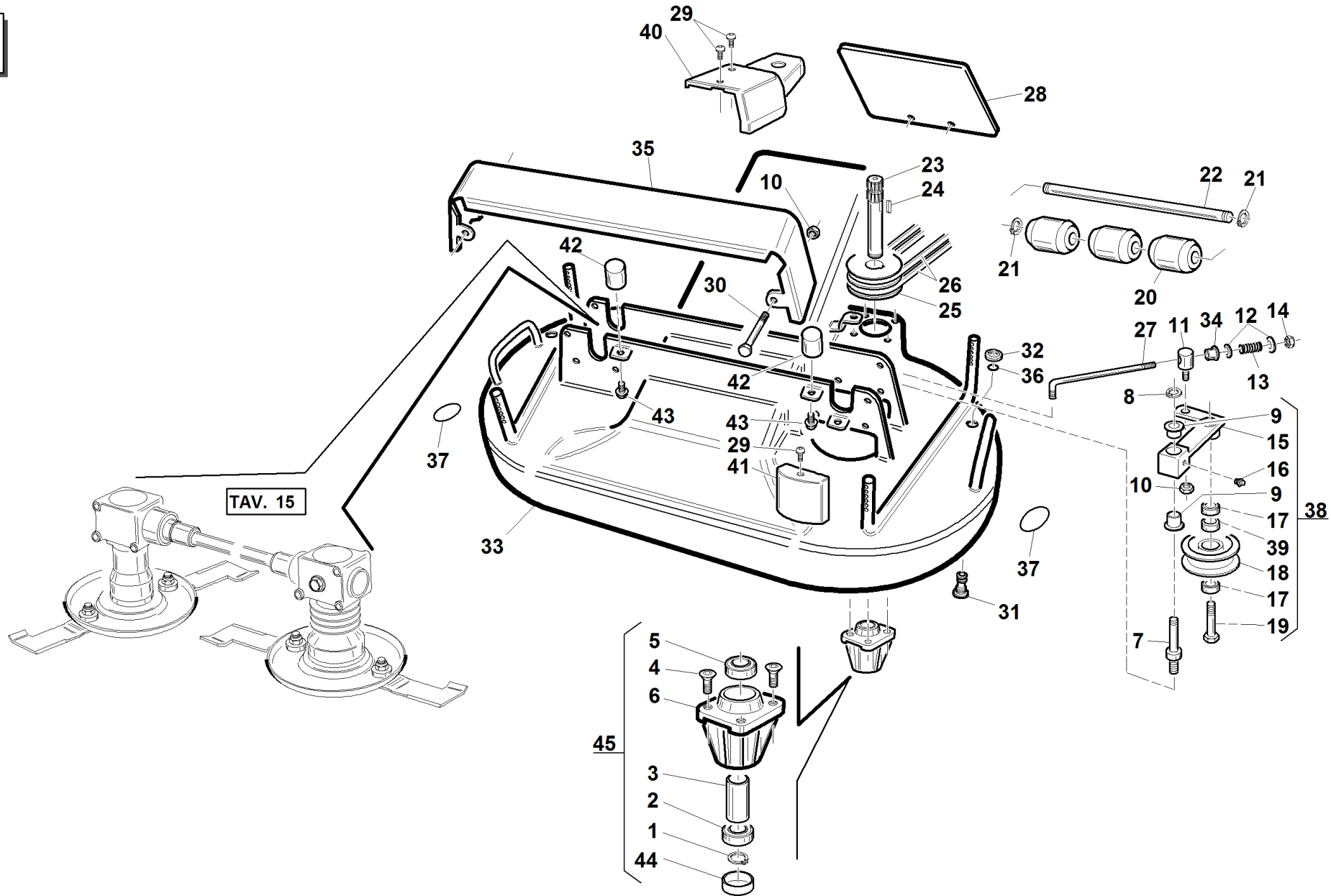
P/N

DESCRIPTION

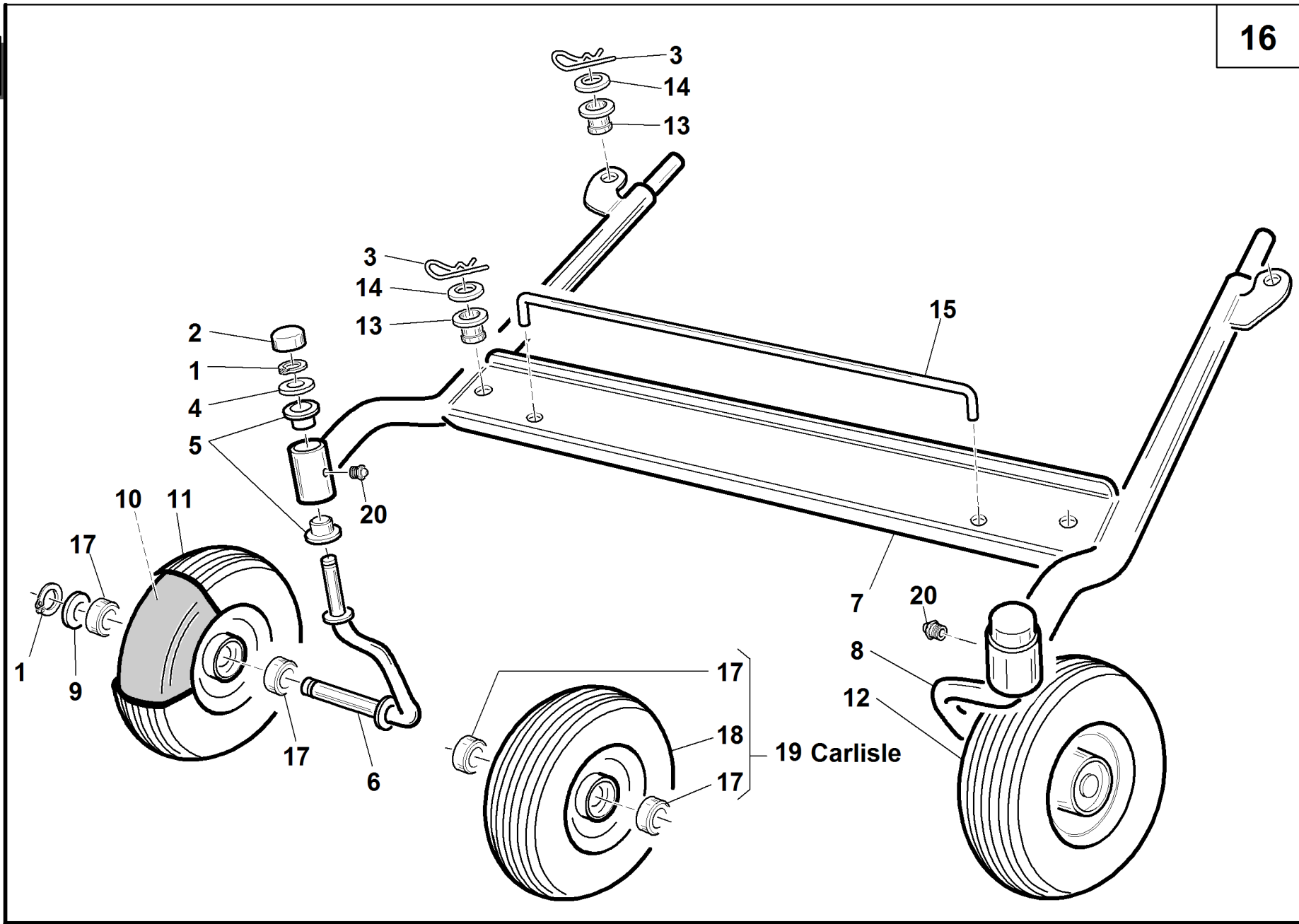
TG TECH

REF. 12- 0055991622

1	94500000057	ACTUATOR SUPPORT		
2	95599250000	HOPPER ASSEMBLED ACTUATOR		
3	94500000008	OVERTURNING HOPPER TIE ROD		
4	00111530003	BUSHING TFF 14X16 L=9		
5	94500160000	HOPPER LOWER ARM		
6	00111970068	VIBRATION-DAMPING STOPPER M6 F H=25		
7	94500840000	OPEN HOPPER LEVER		
8	94500170000	LEFT HOPPER SUPPORT		
9	94500180000	RIGHT HOPPER SUPPORT		
10	94500000067	OPEN HOPPER WIRE CABLE		
11	94500000097	ACTUATOR LOWER FIXING SCREW		
12	94500000096	ACTUATOR TOP FIXING SCREW		
13	94500240000	HOPPER CROSS ARM		
14	94500000047	TIE ROD PIN		
15	94500000053	RIGHT HOPPER TIE ROD		
16	94500000051	SPACER 10.25X16X10.5		
17	94500000007	HOPPER FIXING PIN		
18	00777200022	ARTICULATION HEAD TM12 M12		
19	00111300059	SCREW TE M10X45		
20	00111250013	SELF BL.NUT M10		
21	94500000006	BUSHING M16X1.5		
22	94500000005	ARM BUSHING M16X1.5		
24	00111320001	STUD BOLT M8X16		
25	00111450014	SCREW FR M6X12		
26	00111450010	SCREW/W M6X10		
27	00111150005	NUT M16X1.5		
28	00111450007	FALS SCREW R.M10X25		
29	00111250004	SELF BL. NUT M10		
30	00111000015	WASHER D.10,5X21X2		
31	00111150012	NUT M12		
32	00111250008	SELF BL. NUT M12		
33	00111000071	SELF BLO. NUT M8		



#	P/N	DESCRIPTION	TG TECH
1	00111650013	SNAP RING D.20X1,5 E	
2	00777100020	KOYO BEARING 6204 2RS	
3	95532000019	SPACER 20,2X26 L=38	
4	00111350022	SCREW TSPEI M8X30 ZNT	
5	00777100006	BEARING 6004 2RS 20X42X12	
6	94502111201	TRANSMISSION BELT SHAFT SUPPORT	
7	95500150006	TIGHTENER STOP PIN	
8	00111650004	SNAP RING D.15 E	
9	95001000060	BRASS BUSHING	
10	00111250004	SELF BL. NUT M10	
11	94010820000	SPRING TENSION DRILL ROD	
12	00111000061	WASHER 8.4X24X2	
13	95200000002	ENGINE BELT TIGHTENER SPRING	
14	00111000071	SELF BLO. NUT M8	
15	95566120000	TIGHTENER BELT LEVER	
16	00111000036	GREASER M6	
17	00777100005	KOYO BEARING 6202 2RS	
18	94014000008	TIGHTENER PULLEY	
19	95029000011	THREADED SHAFT M14X1,5	
20	00111970082	NO SCALPING WHEEL	
21	00111000119	SNAP RING D.12 E	
22	95566110003	REAR WHEEL SHAFT	
23	94014000004	CARDAN SHAFT	
24	00111900001	TONGUE A 6X6X25	
25	94014000003	CARDAN PULLEY	
26	95599520000	DAYSICO SPAX900 BELTS KIT	
27	95566110005	MOWER TIGHTENER STAFF	
28	95504000022	BLACK ABS STRAP	
29	00111450003	SCREW WASHER M8X20	
30	00111300032	SCREW TE UNI 5737	
31	95566000004	CONNECTION	
32	00111170001	SELF METAL RING M17X1	
33	95566100000	TG MOWER DECK FRAME	
34	00111530002	SYNTHETIZE BUSHING 8X10 L=9.5	
35	95566110001	GEAR BOX COVER	
36	00777230005	OR RING 3043	
37	00555000029	TRANSFER PRINTING MOWER DECK	
38	95566111200	BELT TIGHTENER	
39	95029000023	SPACER 15,5x20x12,2	
40	95566110004	MOWER REAR TIMING CASE	
41	95566110006	MOWER FRONT TIMING CASE	
42	00111970118	VIBRATION-DAMPING STOPPER M6 F H=31	
43	00111450005	SCREW/W M6X16	
44	00777270009	CLOSED CAP 47X8	
45	95599530000	BELT SHAFT SUPPORT KIT	



#

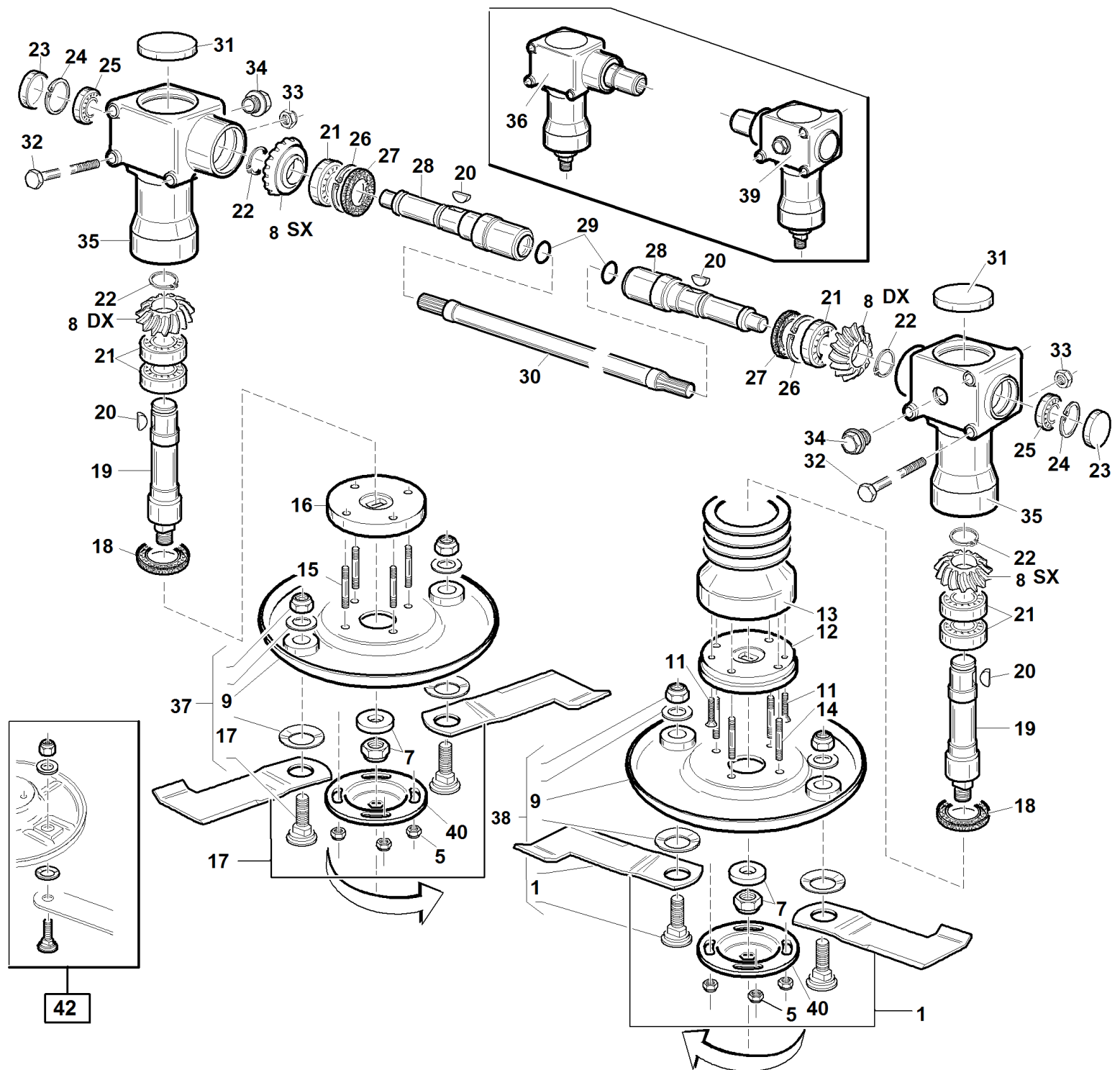
P/N

DESCRIPTION

TG TECH

REF. 14- 00555991625

1	00111000057	SNAP RING D.20 E	
2	95504000021	COVER FORK	
3	00111000175	PIN "R" D.4	
4	00111500011	WASHER 20X30X2	
5	00111990017	BUSHING WITH EDGE TFF 20/16,5	
6	94502101300	WHEEL TROLLEY RIGHT FORK	
7	94502101200	TG TROLLEY	
8	94502101400	WHEEL TROLLEY LEFT FORK	
9	00111500008	WASHER 21X37X2	
10	00111930011	INNER TUBE 2.50X4"IS87	
11	00111940019	PNEUMATIC 8.300X4" SL 4PR	
12	95139205000	FILLED WHEEL 8x3.00-4	
13	90106000007	TROLLEY BUSHING	
14	00111000170	WASHER 17X30X3	
15	PZ95006000004	GRASS CLEANING HOOK	
16	94502100000	TG TECH TROLLEY	
17	00777100008	BEARING 6204 2RS 20x47x14	
18	00111940022	8x3.00-4 TYRE	
19	95139205000	FILLED WHEEL 8x3.00-4	
20	00111000036	GREASER M6	



#

P/N

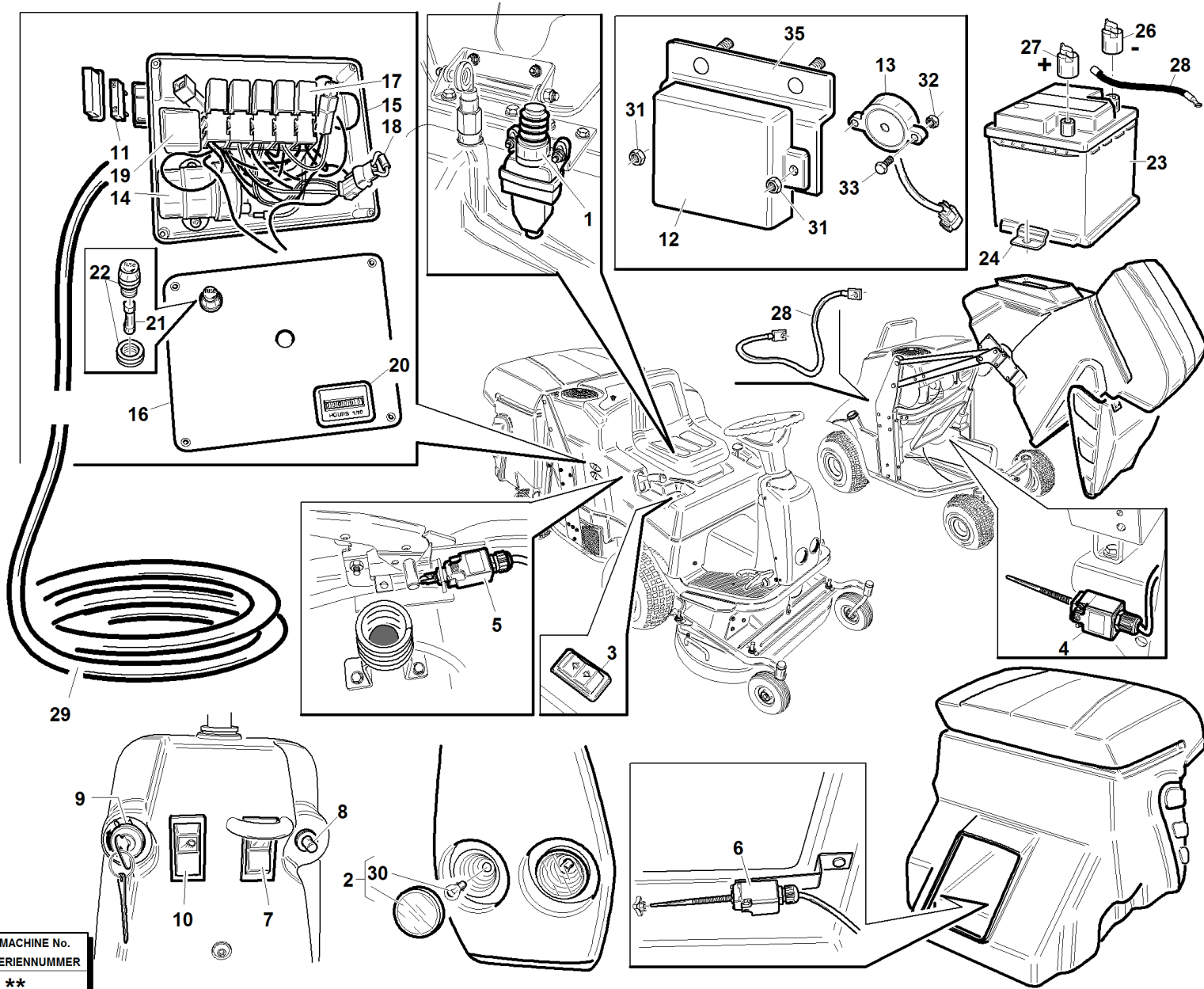
DESCRIPTION

TG TECH

REF. 15- 0055991618

1	92101160000	COUPLE LEFT REENTERING BLADE L=152		
5	00111250021	8MA METB NUT		
7	95599180000	NUT + SPACER		
8	00777306000	ELIC. BEVEL GEAR PAIR		
9	95006500000	BLADES DISC		
11	00111350023	SCREW TSPEI M6X20		
12	94014000013	LEFT PULLEY SUPPORT		
13	94014000006	MOWER BELT PULLEY		
14	00111320002	STUD BOLT M8X30		
15	00111320001	STUD BOLT M8X16		
16	94014000015	RIGHT PULLEY SUPPORT		
17	92101170000	COUPLE RIGHT REENTERING BLADE L=152		
18	00777250022	"VITON" SEAL WASHER 38X52X7		
19	00777305501	CUTTER BLOCK SHAFT		
20	00777305203	SPECIAL TONGUE		
21	00777100017	KOYO BEARING 6205		
22	00111650013	SNAP RING D.20X1,5 E		
23	00777270007	CLOSED CAP 42X7		
24	00111650002	SNAP RING D.42 I		
25	00777100041	KOYO BEARING 6302		
26	00111650009	SNAP RING D.52 I		
27	00777250017	SEAL WASHER 35X52X7		
28	00777305504	KEYED SHAFT		
29	00777230006	OR RING 3081		
30	95566000001	SHAFT		
31	00777270001	CLOSED CAP 62X7		
32	00111300032	SCREW TE UNI 5737		
33	00111250004	SELF BL. NUT M10		
34	95599670000	PLUG 3/8		
35	00777305503	GEAR CASE 2 OUTPUT		
36	00777305600	RIGHT GEAR BOX 2 OUTPUT		
37	94502111100	TG TECH 96 KNIFE RIGHT DISC		
38	94502111000	TG TECH96 KNIFE LEFT DISC		
39	00777305500	LEFT GEAR BOX 2 OUTPUT		
40	94014000025	BLADES SHAFT COVER		
42	95598020000	COMPLETE BLADE SCREW TG TECH AND GTS		

TG TECH



DA MATRICOLA - FROM MACHINE No.
 DÈS LE N° DE SÉRIE - AB SERIENNUMMER
0512035 **

S/N
→0512035

REF. 16- 00555991639

#

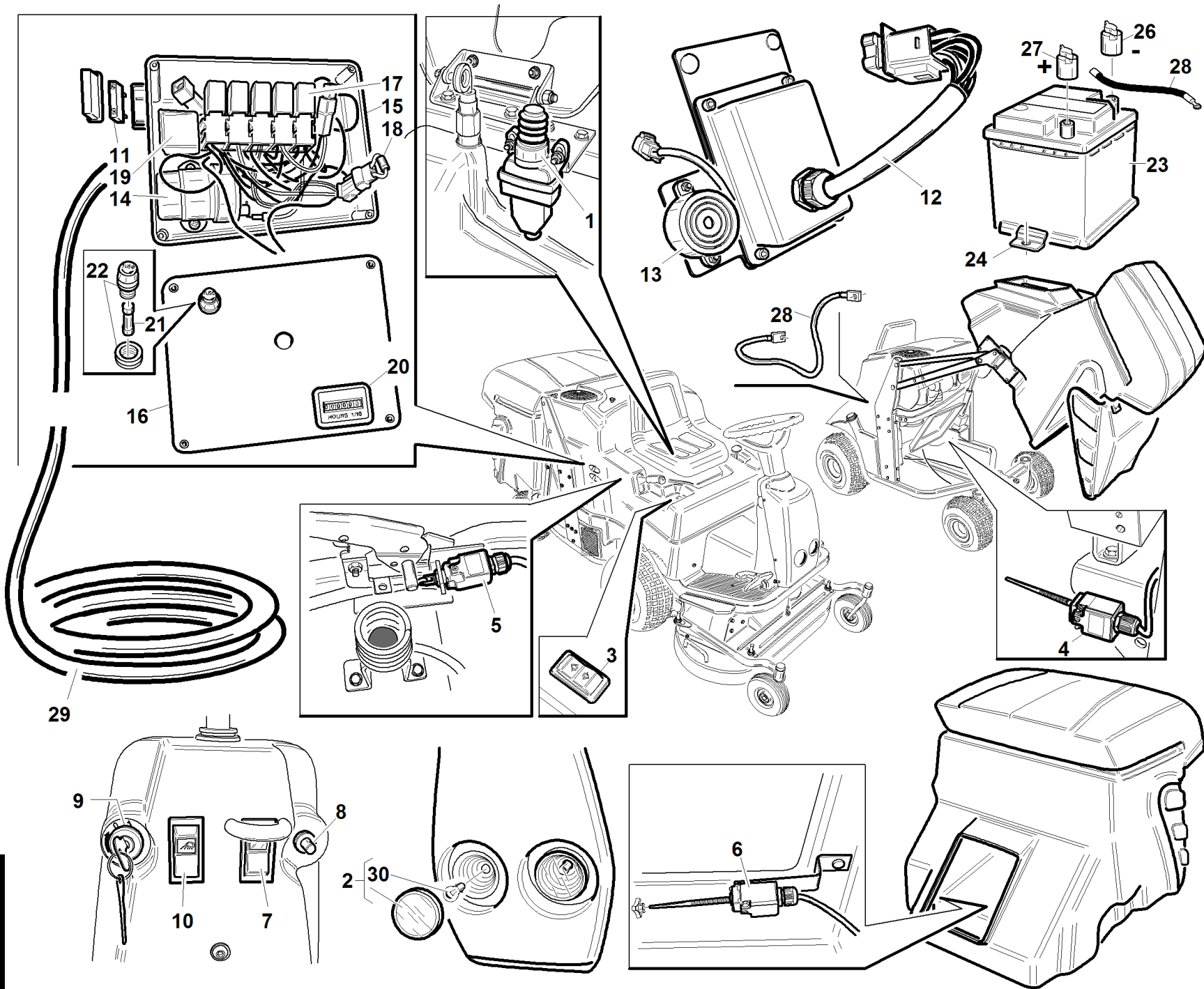
P/N

DESCRIPTION

TG TECH

REF. 16- 0055991639

1	00777800023	PUSH BUTTON 15117000
2	00777800137	PROJECTOR
3	00777800148	HOPPER LIFTING SWITCH
4	94500650000	CLOSE HOPPER WIRED MICRO
5	94500660000	HAND BRAKE WIRED MICRO
6	94500640000	FULL HOPPER WIRED MICRO
7	00777800146	CLUTCH SWITCH
8	00777800147	MOWER DECK LIFTING SWITCH
9	00777800222	START SWITCH
10	00777800007	SWITCH
11	00777800149	FUSE 50A
12	94500030000	KIT TG TECH SCHEDULE
13	00777800191	WARNING HORN
14	00777800012	RELAY 06020
15	00777800151	BLACK BOX ABS
16	00777800155	ABS BOX COVER
17	00777800059	MICRO RELAYS 12V
18	00777800164	ELECTRIC DIODE BY 255
19	00777800098	RELAY 12V 70A
20	00777800076	HOUR METER 10/80 VOLT
21	00777800154	FUSE 6.3X32
22	00777800153	FUSE BOX
23	95599000036	BATTERY 12V 43A
24	94500000079	BRACKET FIXING BATTERY
26	00777800094	GREEN HOLDFAST
27	00777800095	RED HOLDFAST
28	00777800165	TG TECH EARTH CABLE
29	94500020000	TG TECH ELECTRIC HARNESS
30	95599000021	LAMP WITH SUPPORT
31	00111000166	SELF BL. SCREW M6
32	00111250006	SELF BL. NUT M4
33	00111400016	ALLEN SCREW M4X16
35	94500031000	COMPL. SCHEDULE SUPPORT



S/N

→ 03000003 ÷ 04159112 ←

→ 0501001 ÷ 0512034 ←

REF. 16- 00555991623

#

P/N

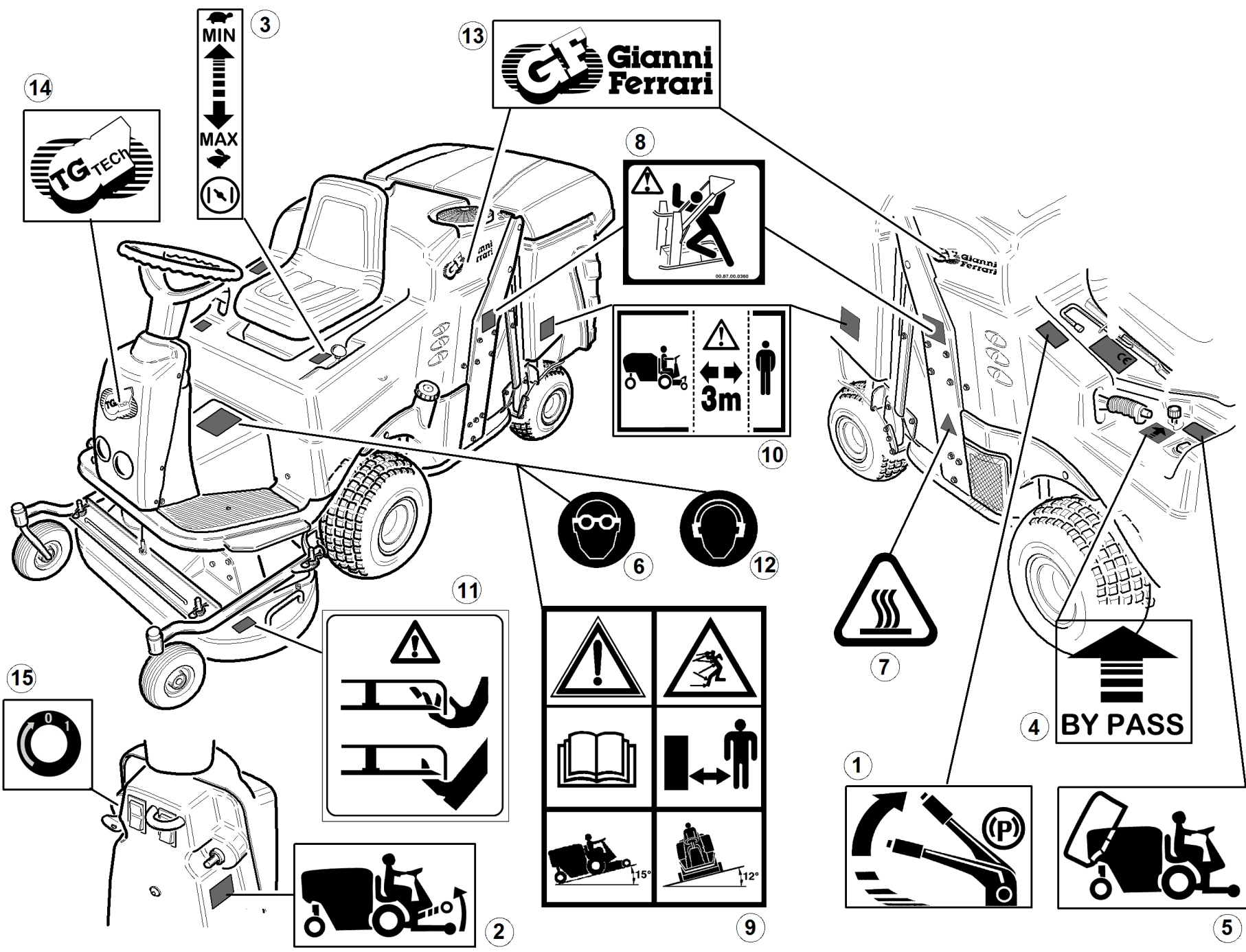
DESCRIPTION

TG TECH

REF. 16- 0055991623

1	00777800023	PUSH BUTTON 15117000	
2	00777800137	PROJECTOR	
3	00777800148	HOPPER LIFTING SWITCH	
4	94500650000	CLOSE HOPPER WIRED MICRO	
5	94500660000	HAND BRAKE WIRED MICRO	
6	94500640000	FULL HOPPER WIRED MICRO	
7	00777800146	CLUTCH SWITCH	
8	00777800147	MOWER DECK LIFTING SWITCH	
9	00777800222	START SWITCH	
10	00777800007	SWITCH	
11	00777800149	FUSE 50A	
12	94500670000	ELECTRIC PANEL TG TECH	
13	00777800191	WARNING HORN	
14	00777800012	RELAY 06020	
15	00777800151	BLACK BOX ABS	
16	00777800155	ABS BOX COVER	
17	00777800059	MICRO RELAYS 12V	
18	00777800164	ELECTRIC DIODE BY 255	
19	00777800098	RELAY 12V 70A	
20	00777800076	HOUR METER 10/80 VOLT	
21	00777800154	FUSE 6.3X32	
22	00777800153	FUSE BOX	
23	95599000036	BATTERY 12V 43A	
24	94500000079	BRACKET FIXING BATTERY	
26	00777800094	GREEN HOLDFAST	
27	00777800095	RED HOLDFAST	
28	00777800165	TG TECH EARTH CABLE	
29	94501100000	TG TECH ELECTRIC HARNESS	
30	95599000021	LAMP WITH SUPPORT	

TG TECH



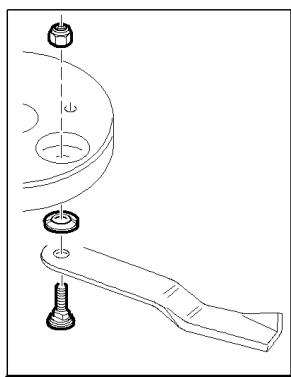
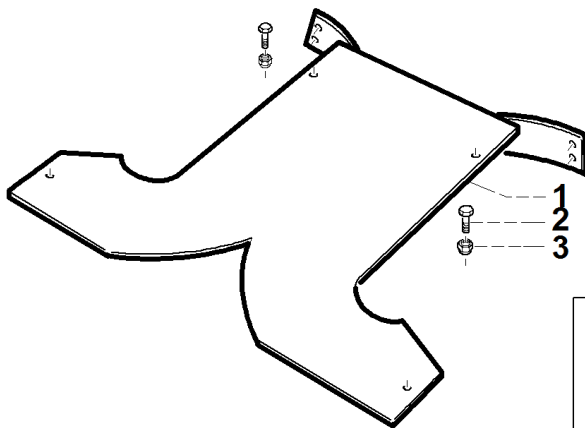
#

P/N

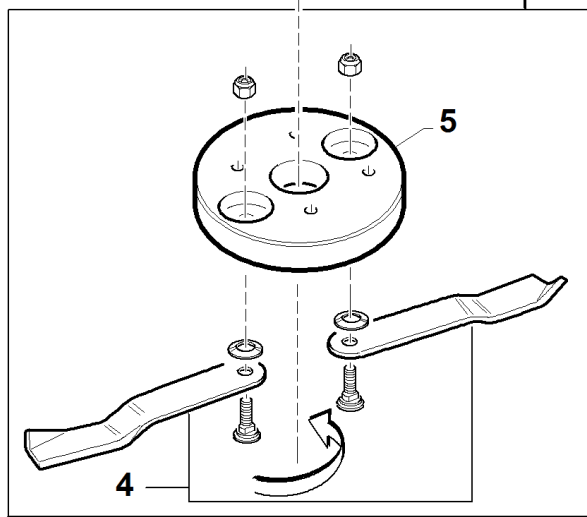
DESCRIPTION

TG TECH

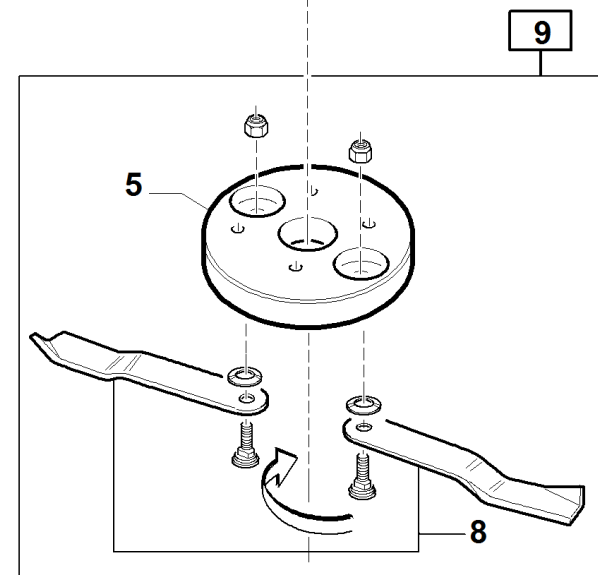
1	00555200128	TRANSFER PRINTING BRAKE	
2	00555200136	TRANSFER PRINTING	
3	00555200137	TRANSFER PRINTING	
4	00555200141	TRANSFER PRINTING	
5	00555200135	TRANSFER PRINTING	
6	00555200130	TRANSFER PRINTING EYE PROTECTION	
7	00555200142	TRANSFER PRINTING	
8	00555200119	TRANSFER PRINTING	
9	00555200143	DANGER TRANSFER PRINTING	
10	00555200018	TRANF. KEEP AWAY	
11	00555000029	TRANSFER PRINTING MOWER DECK	
12	00555200129	TRANSFER PRINT.HEARING PROTEC.	
13	00555200165	YELLOW GIANNI FERRARI TRANSF. PRINTING	
14	00555200139	TRANSFER PRINTING TG TECH	
15	00555200013	TRANSFER PRINTING START	



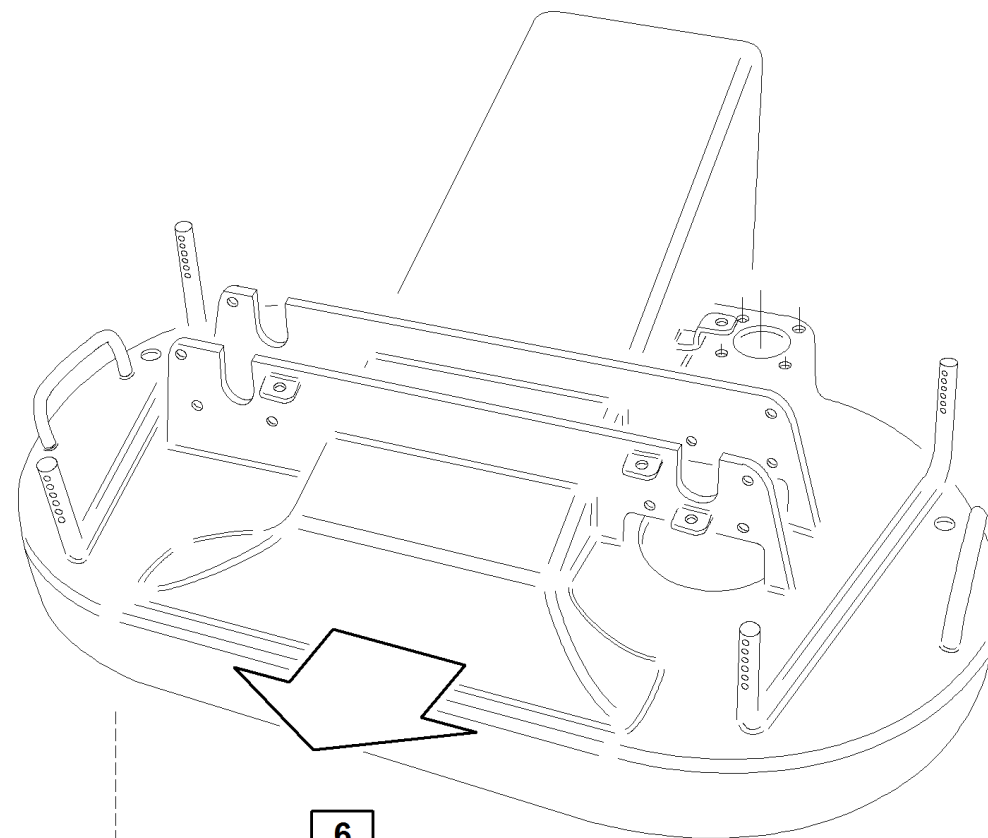
7



6



9



#

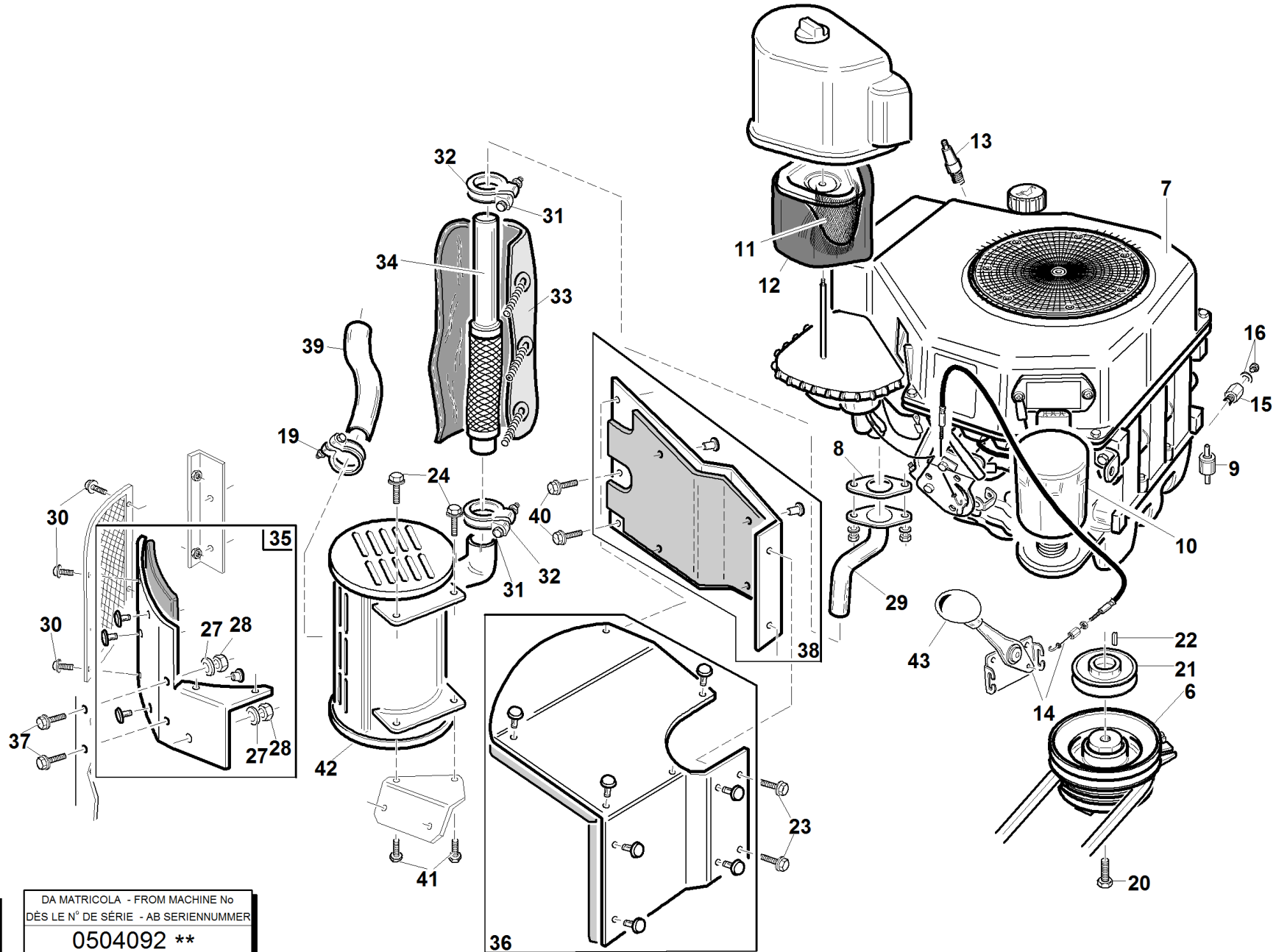
P/N

DESCRIPTION

PIATTO 96 CM

REF. 18- 00555991627

1	95567100000	TG MULCHING CLOSING CAP
2	00111000045	SCREW TE M6X16
3	00111000166	SELF BL. SCREW M6
4	95059130000	COUPLE RIGHT MULCHING BLADE L= 197,5
5	95567000001	MULCHING BLADES DISC
6	95567110000	RIGHT MULCHING DISC
7	95599350000	COMPLETE BLADE SCREW
8	95059120000	COUPLE LEFT MULCHING BLADE L=197,5
9	95567120000	LEFT MULCHING DISC



S/N
→ **0504092**

DA MATRICOLA - FROM MACHINE No
DÈS LE N° DE SÉRIE - AB SERIENNUMMER
0504092 **

REF. 19- 00555991638

#

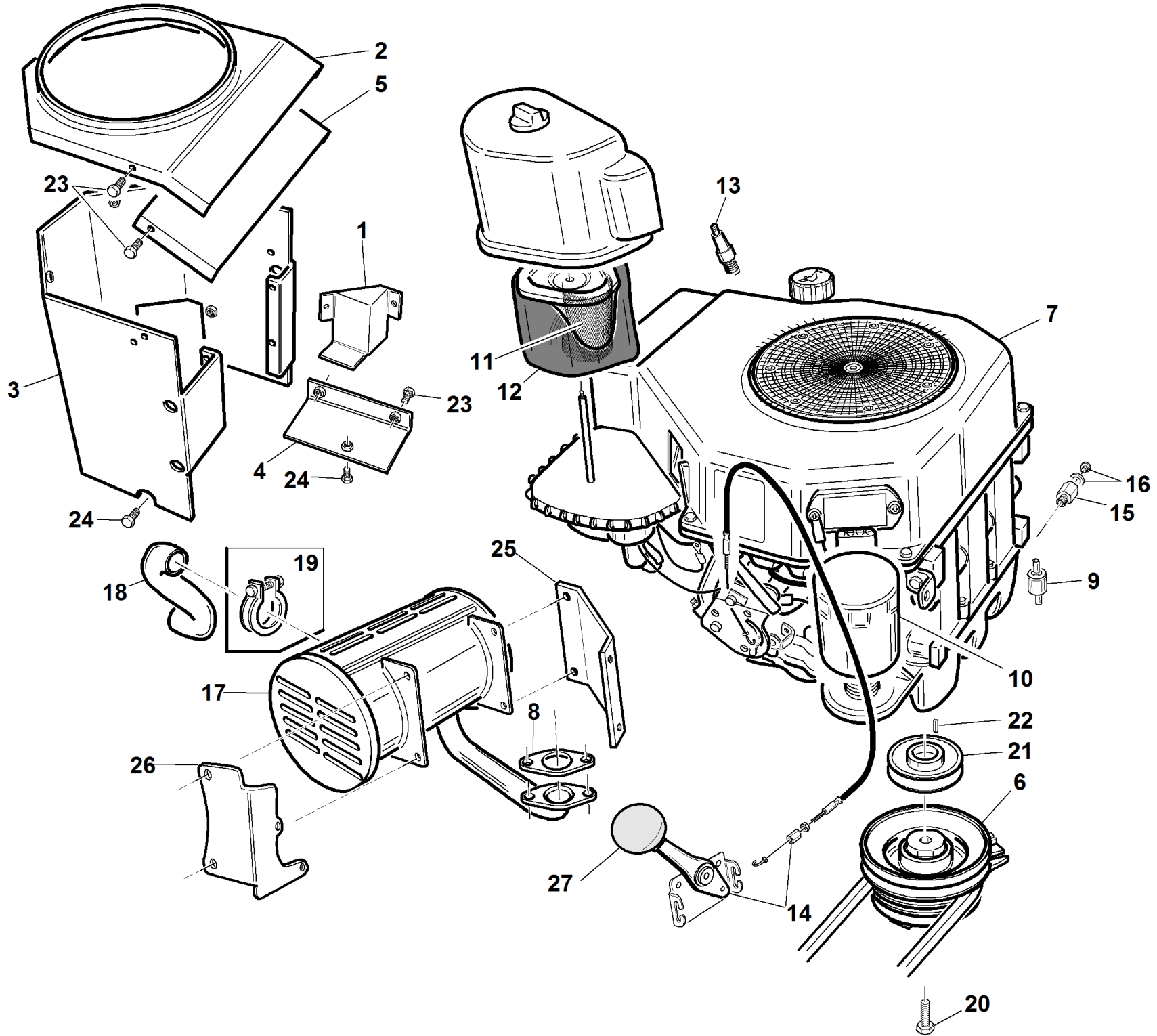
P/N

DESCRIPTION

TG TECH

REF. 19- 00555991638

6	00777801700	"WARNER" CLUTCH		
7	00777700023	KOHLER ENGINE 18 HP		
8	00111990101	KOHLER EXHAUST GASKET 15.5HP		
9	00777650034	PETROL FILTER 15.5HP-KOHLER		
10	00777650032	KOHLER OIL FILTER		
11	00777650031	KOHLER AIR FILTER		
12	00777650030	KOHLER AIR PRECLEANER		
13	00777750004	KOHLER SPARK PLUG 15 HP		
14	95599410000	KIT THROTTLE LEVER		
15	94500000048	OIL RELIEF EXTENSION		
16	00111990099	COVER FOR OIL EXHAUST 3/8"		
19	00111810030	MUFFLER CLAMP R36		
20	00111300056	SCREW TE 7/16-20 L=60		
21	94500000001	ENGINE PULLEY		
22	00111990008	PIN KEY 1/4X1/4X38		
23	00111450010	SCREW/W M6X10		
24	00111450005	SCREW/W M6X16		
27	00111000087	WASHER P.8,4X15.6X1,5		
28	00111000071	SELF BLO. NUT M8		
29	94500000124	EXHAUST COLLECTOR		
30	00111450014	SCREW FR M6X12		
31	00111300021	SCREW TE M8X45		
32	00111810032	MUFFLER CLAMP R33		
33	94500000134	THERMIC COVER		
34	94500000127	FLEXIBLE COLLECTOR		
35	94500980000	UPPER EXHAUST SUPPORT		
36	94500090000	ASSEMBLED MUFFLER CONVEYOR		
37	00111450003	SCREW WASHER M8X20		
38	94500990000	EXHAUST PLATE		
39	94500000125	EXHAUST COLLECTOR		
40	00111000059	FAKE SCREW/WASH. M8X14		
41	00111000137	SCREW TE M6X25		
42	PP94500000126	EXHAUST END WELDED		
43	00111610004	BLACK ACCELERATOR LEVER		



S/N

→ 03000003 ÷ 04159112 ←

→ 0501001 ÷ 0504091 ←

REF. 19- 00555991628

#

P/N

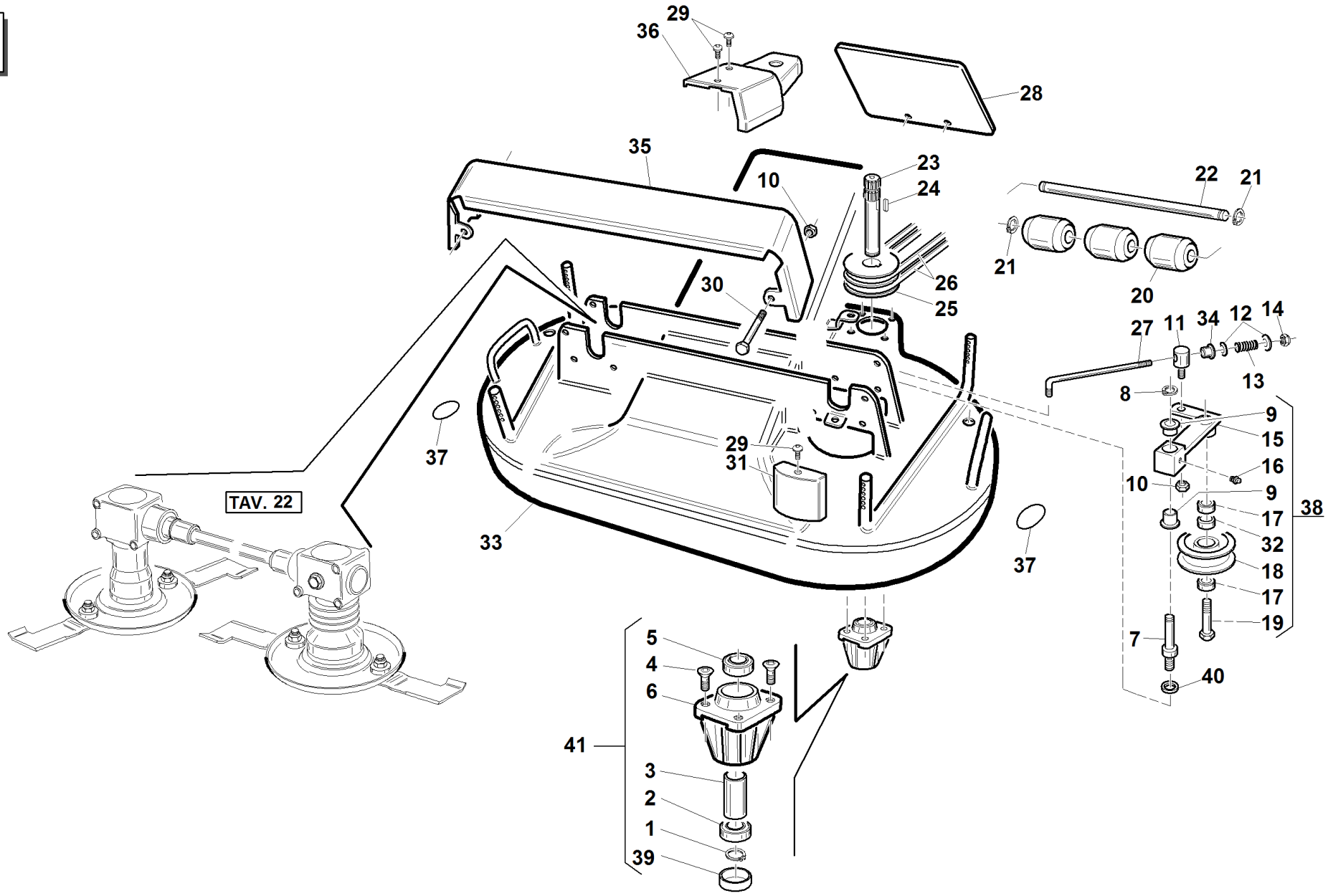
DESCRIPTION

TG TECH

REF. 19- 0055991628

1	94500000101	EXHAUST GUARD BOX	
2	94500000100	MUFFLER GUARD COVER	
3	94500520000	EXHAUST BOX	
4	94500530000	ANGULAR	
5	94500540000	EXHAUST PROTECTION BUMPER	
6	00777801700	"WARNER" CLUTCH	
7	00777700023	KOHLER ENGINE 18 HP	
8	00111990101	KOHLER EXHAUST GASKET 15.5HP	
9	00777650034	PETROL FILTER 15.5HP-KOHLER	
10	00777650032	KOHLER OIL FILTER	
11	00777650031	KOHLER AIR FILTER	
12	00777650030	KOHLER AIR PRECLEANER	
13	00777750004	KOHLER SPARK PLUG 15 HP	
14	95599410000	KIT THROTTLE LEVER	
15	94500000048	OIL RELIEF EXTENSION	
16	00111990099	COVER FOR OIL EXHAUST 3/8"	
17	95599440000	COMPL. TGTECH 18HP EXHAUST	
18	94500440000	EXHAUST COLLECTOR	
19	00111810030	MUFFLER CLAMP R36	
20	00111300056	SCREW TE 7/16-20 L=60	
21	94500000001	ENGINE PULLEY	
22	00111990008	PIN KEY 1/4X1/4X38	
23	00111450010	SCREW/W M6X10	
24	00111450005	SCREW/W M6X16	
25	94601110000	SUPPORT	
26	94500000121	EXHAUST RIGHT SUPPORT	
27	00111610004	BLACK ACCELERATOR LEVER	

TG TECH CM 112



#

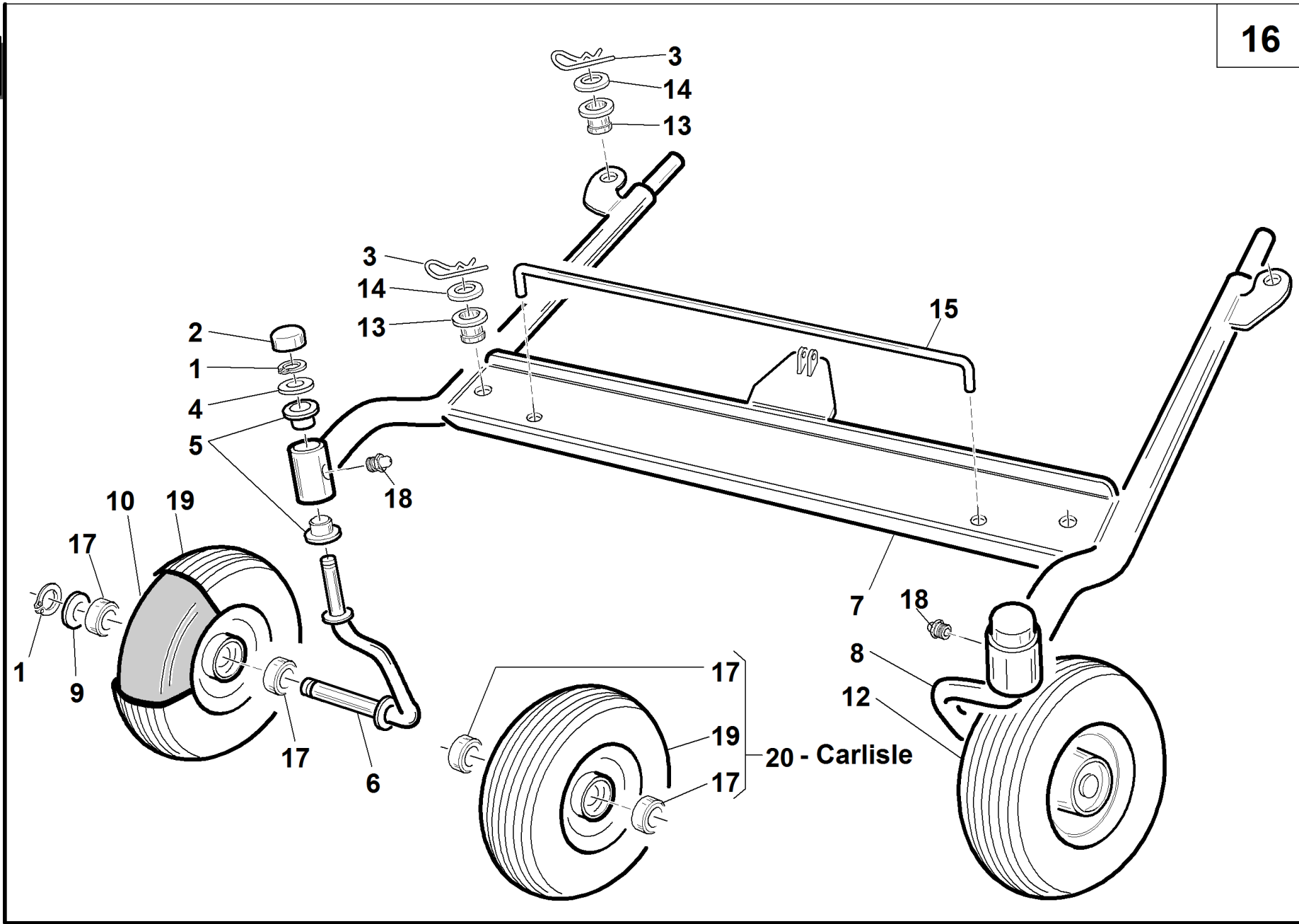
P/N

DESCRIPTION

TG TECH CM 112

REF. 20- 0055991631

1	00111000057	SNAP RING D.20 E		
2	00777100020	KOYO BEARING 6204 2RS		
3	95532000019	SPACER 20,2X26 L=38		
4	00111350022	SCREW TSPEI M8X30 ZNT		
5	00777100006	BEARING 6004 2RS 20X42X12		
6	94502111201	TRANSMISSION BELT SHAFT SUPPORT		
7	95500150006	TIGHTENER STOP PIN		
8	00111650004	SNAP RING D.15 E		
9	95001000060	BRASS BUSHING		
10	00111250004	SELF BL. NUT M10		
11	94010820000	SPRING TENSION DRILL ROD		
12	00111000061	WASHER 8.4X24X2		
13	94505110005	SPRING A/2631		
14	00111000071	SELF BLO. NUT M8		
15	95566120000	TIGHTENER BELT LEVER		
16	00111000036	GREASER M6		
17	00777100005	KOYO BEARING 6202 2RS		
18	94014000008	TIGHTENER PULLEY		
19	95029000011	THREADED SHAFT M14X1,5		
20	00111970082	NO SCALPING WHEEL		
21	00111000119	SNAP RING D.12 E		
22	95566110003	REAR WHEEL SHAFT		
23	94014000004	CARDAN SHAFT		
24	00111900001	TONGUE A 6X6X25		
25	94014000003	CARDAN PULLEY		
26	95599510000	TG TECH MOWER DECK 112 cm BELTS KIT		
27	95566110005	MOWER TIGHTENER STAFF		
28	95504000022	BLACK ABS STRAP		
29	00111450003	SCREW WASHER M8X20		
30	00111300032	SCREW TE UNI 5737		
31	95566110006	MOWER FRONT TIMING CASE		
32	95029000023	SPACER 15,5x20x12,2		
33	94505111000	MOWER DECK FRAME TG Tech 112		
34	00111530002	SYNTHETIZE BUSHING 8X10 L=9.5		
35	94505110004	GEAR BOX COVER		
36	94505110003	REAR MOWER TIMING CASE		
37	00555000029	TRANSFER PRINTING MOWER DECK		
38	95566111200	BELT TIGHTENER		
39	00777270009	CLOSED CAP 47X8		
40	00111500004	WASHER 15,2X28X2.5		
41	95599530000	BELT SHAFT SUPPORT KIT		



#

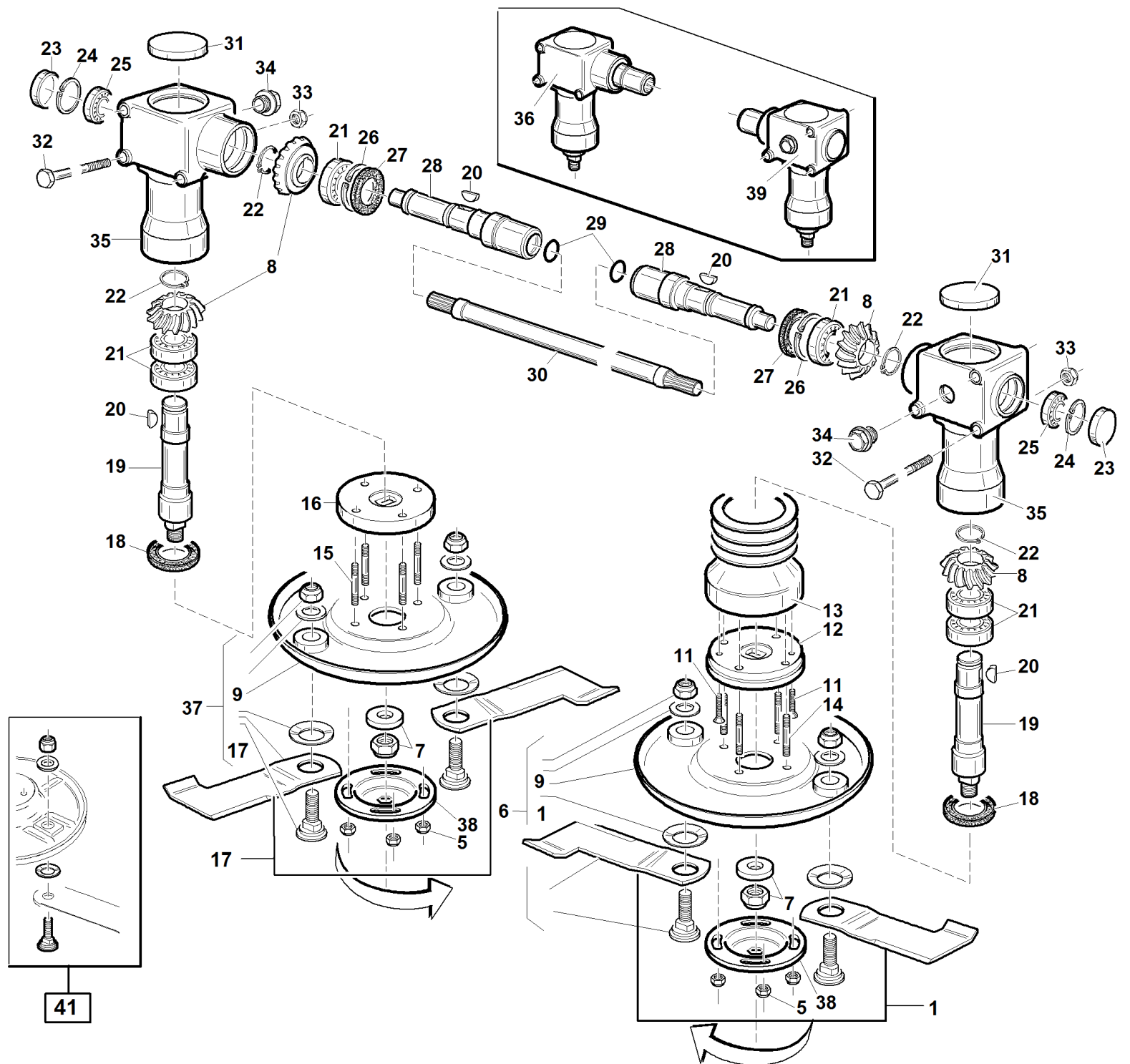
P/N

DESCRIPTION

TG TECH CM 112

REF. 21- 0055991632

1	00111000057	SNAP RING D.20 E
2	95504000021	COVER FORK
3	00111000175	PIN "R" D.4
4	00111500011	WASHER 20X30X2
5	00111990017	BUSHING WITH EDGE TFF 20/16,5
6	94502101300	WHEEL TROLLEY RIGHT FORK
7	94505101000	TG TECH 112DECK TROLLEY
8	94502101400	WHEEL TROLLEY LEFT FORK
9	00111500008	WASHER 21X37X2
10	00111930011	INNER TUBE 2.50X4"IS87
11	00111900019	
12	95139205000	FILLED WHEEL 8x3.00-4
13	90106000007	TROLLEY BUSHING
14	00111000170	WASHER 17X30X3
15	PZ95006000004	GRASS CLEANING HOOK
16	94505100000	112 TG TECH TROLLEY
17	00777100008	BEARING 6204 2RS 20x47x14
18	00111000036	GREASER M6
19	00111940022	8x3.00-4 TYRE
20	95139205000	FILLED WHEEL 8x3.00-4



#

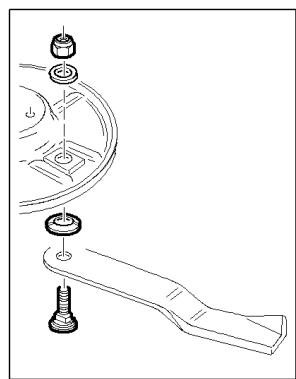
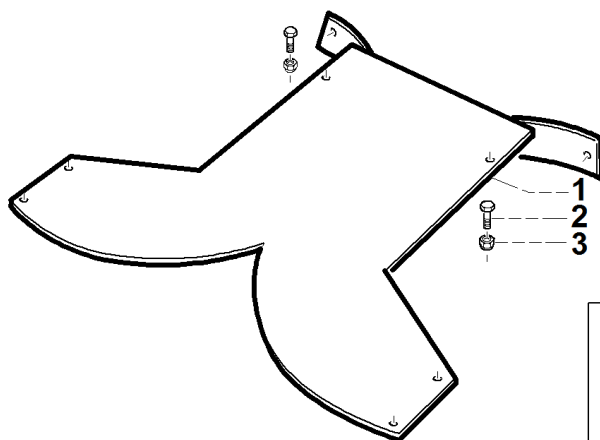
P/N

DESCRIPTION

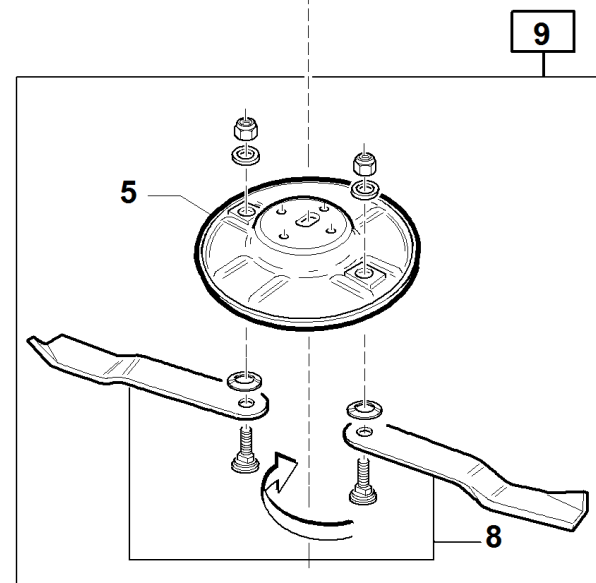
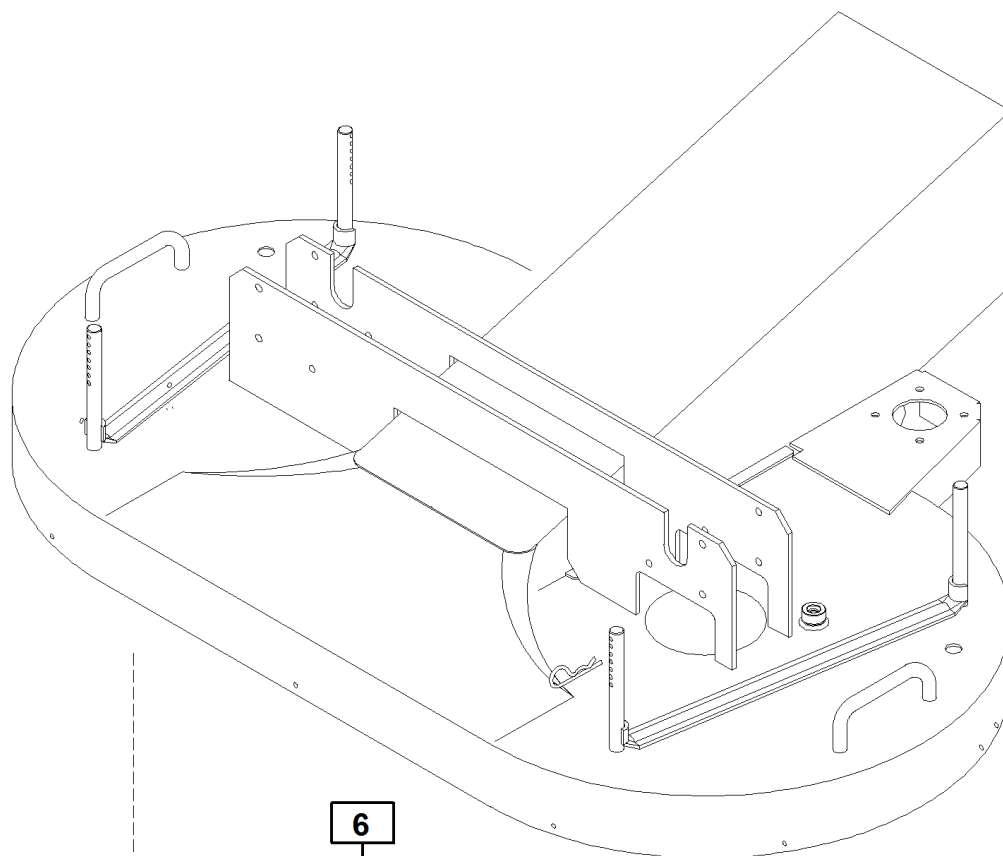
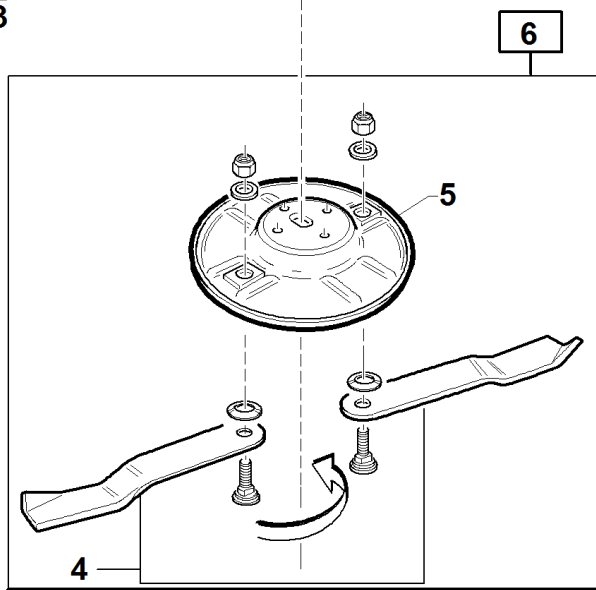
TG TECH CM 112

REF. 22- 0055991633

1	92101160000	COUPLE LEFT REENTERING BLADE L=152		
3	00111500015	WASHER 20X28X1		
5	00111250021	8MA METB NUT		
6	94505111200	LEFT 112 TGTECH BLADES DISC		
7	95599180000	NUT + SPACER		
8	00777306000	ELIC. BEVEL GEAR PAIR		
9	94014180000	BLADES DISC D=340		
11	00111350023	SCREW TSPEI M6X20		
12	94014000013	LEFT PULLEY SUPPORT		
13	94505110002	TGTECH MOWER DECK PULLEY		
14	00111320002	STUD BOLT M8X30		
15	00111320001	STUD BOLT M8X16		
16	94014000015	RIGHT PULLEY SUPPORT		
17	92101170000	COUPLE RIGHT REENTERING BLADE L=152		
18	00777250022	"VITON" SEAL WASHER 38X52X7		
19	00777305501	CUTTER BLOCK SHAFT		
20	00777305203	SPECIAL TONGUE		
21	00777100017	KOYO BEARING 6205		
22	00111650013	SNAP RING D.20X1,5 E		
23	00777270007	CLOSED CAP 42X7		
24	00111650002	SNAP RING D.42 I		
25	00777100041	KOYO BEARING 6302		
26	00111650009	SNAP RING D.52 I		
27	00777250017	SEAL WASHER 35X52X7		
28	00777305504	KEYED SHAFT		
29	00777230006	OR RING 3081		
30	94505110001	TG TECH 112 DECK SHAFT		
31	00777270001	CLOSED CAP 62X7		
32	00111300032	SCREW TE UNI 5737		
33	00111250004	SELF BL. NUT M10		
34	95599670000	PLUG 3/8		
35	00777305503	GEAR CASE 2 OUTPUT		
36	00777305600	RIGHT GEAR BOX 2 OUTPUT		
37	94505111300	RIGHT 112 TGTECH BLADES DISC		
38	94014000025	BLADES SHAFT COVER		
39	00777305500	LEFT GEAR BOX 2 OUTPUT		
41	95598020000	COMPLETE BLADE SCREW TG TECH AND GTS		



7



8

9

#

P/N

DESCRIPTION

PIATTO 112 SA

REF. 23- 00555991644

1	95568100000	TG MULCHING CLOSING
2	00111000045	SCREW TE M6X16
3	00111000166	SELF BL. SCREW M6
4	95059130000	COUPLE RIGHT MULCHING BLADE L= 197,5
5	95006500000	BLADES DISC
6	95568110000	MULCHING RIGHT DISK (112cm)
7	95598020000	COMPLETE BLADE SCREW TG TECH AND GTS
8	95059120000	COUPLE LEFT MULCHING BLADE L=197,5
9	95568120000	MULCHING LEFT DISK (112cm)

www.gianniferrari.com

Advanced Groundcare Solutions™

**COMPANY WITH QUALITY
MANAGEMENT SYSTEM CERTIFIED BY DNV
= UNI EN ISO 9001:2008 =**



**Gianni
Ferrari**

GIANNI FERRARI S.r.l.

Via Vespucci ,53 (z.ind. Ranaro)
42046 Reggiolo (Reggio Emilia) Italy
Tel. +39.0522.973697 - Fax +39.0522.973707
e-mail: info@gianniferrari.com



OFFICINE BIEFFEBI S.p.A.

Via dell'Artigianato ,7
46023 Gonzaga (Mantova) Italy
Tel. +39.0376.52641 - Fax +39.0376.588270
e-mail: bieffebi@gianniferrari.com